



# PRESSURE FITTINGS

Fast and flexible



## PRESSURE FITTINGS

### Fast and flexible

We supply standard pressure fittings from DN04 to Dn76 at short notice in numerous step sizes. They are based on connection types according to international standards, for example SAE or DIN. The advantages are that different connection sizes and connection types can be combined with various hose integrators.



### ■ Highest safety

Pressure fittings for the high-pressure range are pulse-tested according to DIN EN ISO 6803. In addition, fittings in the very high pressure range have tear-off safety in the form of a separate interlock zone.

### ■ Hose integrators

We manufacture integrators for hydraulic pipe fittings for skive and no-skive. Since we have a substantial manufacturing depth and the corresponding equipment in terms of machinery, we can supply individual pieces, small batches or mass-produced series according to your requirement in:

- Soldered type
- Welded type
- Monoblock versions

### ■ Short delivery periods for catalogue products

Most of our catalogue products are stocked goods. If you have any questions regarding technical details, our employees are at your service.

### ■ Special dimensions and angle positions

Do you need special shapes? Developing and manufacturing special solutions for hydraulic components and systems is our strength.

### Applications, e.g.:

1SN/2SN/1SC/2SC/2SN-K/3SPC  
4SP  
4SH  
R13/R15  
PTFE

### Pressure fittings:

soldered, welded,  
monobloc and ZAKO designs

## Table of Contents

AGM straight	7
DKM straight	9
DKM 45°	11
DKM 90°	13
BEL straight	15
BEL 45°	17
BEL 90°	19
CEL straight	21
CEL 45°	23
CEL 90°	25
DKL straight	27
DKL 45°	29
DKL 90°	31
DKOL straight	33
DKOL 45°	35
DKOL 90°	37
BES straight	39
BES 45°	41
BES 90°	43
CES straight	45
CES 45°	47
CES 90°	49
DKOS straight	51
DKOS 45°	53
DKOS 90°	55
AGR Cone straight	57
AGR cylindrical straight	59
DKR straight	61
DKR 45°	63
DKR 90°	65
AGJ straight	67
DKJ straight	69
DKJ 45°	71
DKJ 90°	73
ORS straight	75
ORFS straight	77
ORFS 45°	79
ORFS 90°	81

AGN straight	83
SFL straight	85
SFL 45°	87
SFL 90°	89
SFS straight	91
SFS 45°	93
SFS 90°	95
Hose coupling	97
Banjo fitting metric	99
Banjo fitting by inches	101
Wash cleaner female Wash cleaner female	103
Wash cleaner female for pistol application	105
Wash cleaner female with axial bearing for pistol application	106
Combi NO-SKIVE (101)	107
NO-SKIVE 1SC (101 1SC)	109
Kombi SKIVE (100)	110
SKIVE 1SN (110)	111
SKIVE 2SN (120)	112
Kombi PTFE (FR272)	113
DKOL straight	114
DKOL 45°	116
DKOL 90°	118
DKOS straight	120
DKOS 45°	122
DKOS 90°	124
SFL straight	126
SFL 45°	128
SFL 90°	130
SFS straight	132
SFS 45°	134
SFS 90°	136
4SP SKIVE (440)	138
DKOS straight	139
DKOS 45°	141
DKOS 90°	143
SFL Straight	145
SFL 45°	147
SFL 90°	149
SFS Straight	151

SFS 45°	153
SFS 90°	155
CAT flange straight	157
CAT flange 45°	159
CAT flange 90°	161
4SH SKIVE (540)	163
CES straight	164
DKOS straight	165
DKOS 45°	167
DKOS 90°	169
DKOS Hammer Drill straight	171
AGR cylindrical straight	172
DKOR straight	173
DKOR 45°	174
DKOR 90°	175
AGJ straight	176
DKJ straight	177
DKJ 45°	178
DKJ 90°	179
ORS straight	180
ORFS straight	181
ORFS 45°	182
ORFS 90°	183
AGN straight	184
SFL straight	185
SFL 45°	186
SFL 90°	187
SFS straight	188
SFS 45°	190
SFS 90°	191
4SH SKIVE (740)	193
R15 SKIVE (760)	194
R13 SKIVE (760)	195
DKOS straight	196
DKOS 45°	197
DKOS 90°	198
SFS straight	199
SFS 45°	201
SFS 90°	203

SAE 3000 PSI flange half	205
SAE 3000 PSI solid flange	207
SAE 3000 PSI mating solid flange	209
SAE 6000 PSI flange half	211
SAE 6000 PSI solid flange	212
SAE 6000 PSI mating solid flange	213
O-ring DKOL/DKOS	215
O-ring SAE flange	217
O-ring DIN flange	219
O-ring ORS	221
O-ring DKOR	223
O-ring DIN2690 flat gasket	225
Chesse head screws	227
Hexagon bolts and nuts	229
Seamless 90° pipe bends	230

Updated at: 11.01.2023

# Pressure fittings AGM straight

Updated at:  
24.05.2022

## Connection

Metric male thread with 60° inner cone LL series

## Standard

DIN 3863

## Application

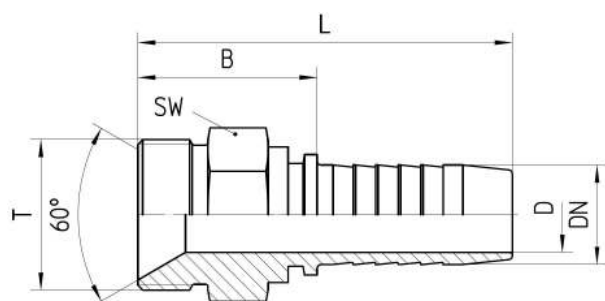
TE / SN / SC / SN-K / PTFE flexible tubes

## Material

Steel

## Surface protection

Zinc-electroplated



Order no.	DN in mm	T	SW in mm	min. D in mm	B±3 in mm	L±3 in mm
1.111-12-12	19	M 30x1.5	30	15,0	42	81
1.111-16-12	19	M 38x1.5	41	15,0	42	81
1.111-12-16	25	M 30x1.5	30	15,0	46	92
1.111-16-16	25	M 38x1.5	41	21,0	46	92
1.111-20-16	25	M 45x1.5	46	21,0	48	94
1.111-16-20	31	M 38x1.5	41	21,0	49	103
1.111-20-20	31	M 45x1.5	46	27,0	51	105
1.111-24-20	31	M 52x1.5	55	27,0	51	105

Order no.	DN in mm	T	SW in mm	min. D in mm	B±3 in mm	L±3 in mm
1.111-20-24	38	M 45x1.5	46	27,0	52	109
1.111-24-24	38	M 52x1.5	55	32,0	52	109
1.111-32-24	38	M 65x2.0	65	32,0	58	115
1.111-24-32	51	M 52x1.5	55	31,0	53	128
1.111-32-32	51	M 65x2.0	65	44,5	80	155
1.111-40-32	51	M 78x2.0	80	44,5	80	155
1.111-32-36	60	M 65x2.0	65	51,0	95	175
1.111-40-36	60	M 78x2.0	80	52,0	95	175
1.111-48-36	60	M 90x2.0	90	52,0	99	179
1.111-40-48	76	M 78x2.0	80	68,0	78	153
1.111-48-48	76	M 90x2.0	90	68,0	82	157
1.111-56-48	76	M 100x2.0	100	68,0	82	157

**Note**

this version is also available for 4SP hoses

**Ferrule**

no-skive (101) // skive (100 / 110 / 120)



# Pressure fittings DKM straight

Updated at:  
24.05.2022

## Connection

Sealing head 60° outside cone with nut LL series

## Standard

DIN 3863

## Application

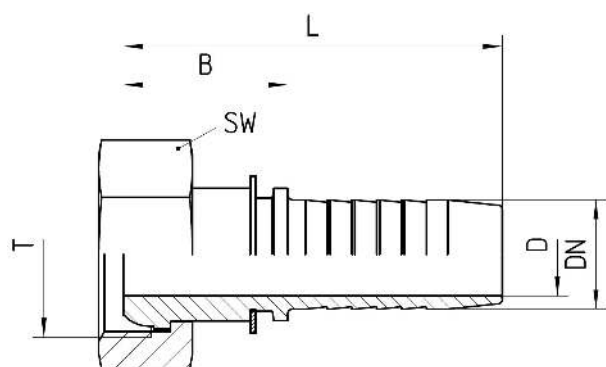
TE / SN / SC / SN-K / PTFE flexible tubes

## Material

Steel

## Surface protection

Zinc-electroplated



Order no.	DN in mm	T	SW in mm	min. D in mm	B±3 in mm	L±3 in mm
1.011-12-12	19	M 30x1.5	36	15,0	30	69
1.011-16-12	19	M 38x1.5	46	15,0	28	67
1.011-12-16	25	M 30x1.5	36	15,0	33	80
1.011-16-16	25	M 38x1.5	46	21,0	35	81
1.011-20-16	25	M 45x1.5	55	21,0	36	82
1.011-16-20	31	M 38x1.5	46	21,0	35	89
1.011-20-20	31	M 45x1.5	55	26,5	42	96
1.011-24-20	31	M 52x1.5	60	26,5	42	96

Order no.	DN in mm	T	SW in mm	min. D in mm	B±3 in mm	L±3 in mm
1.011-20-24	38	M 45x1.5	55	27,0	37	94
1.011-24-24	38	M 52x1.5	60	32,8	45	102
1.011-32-24	38	M 65x2.0	75	32,0	38	96
1.011-24-32	51	M 52x1.5	60	33,0	38	113
1.011-32-32	51	M 65x2.0	75	44,5	61	136
1.011-40-32	51	M 78x2.0	90	44,5	62	137
1.011-32-36	60	M 65x2.0	75	44,5	76	156
1.011-40-36	60	M 78x2.0	90	52,0	77	157
1.011-40-40	63	M 78x2.0	90	52,0	74	154
1.011-48-36	60	M 90x2.0	100	52,0	76	156
1.011-40-48	76	M 78x2.0	90	52,8	92	167
1.011-48-48	76	M 90x2.0	100	68,0	59	134
1.011-56-48	76	M 100x2.0	110	68,0	58	133

**Note**

this version is also available for 4SP hoses

**Ferrule**

no-skive (101) // skive (100 / 110 / 120)

**Options**

O-ring version on request (DKOM)

# Pressure fittings DKM 45°

Updated at:  
24.05.2022

## Connection

Sealing head 60° outside cone with nut LL series

## Standard

DIN 3863

## Application

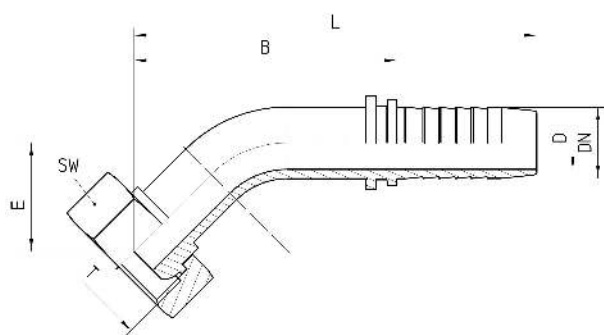
TE / SN / SC / SN-K / PTFE flexible tubes

## Material

Steel

## Surface protection

Zinc-electroplated



Order no.	DN in mm	T	SW in mm	min. D in mm	E±3 in mm	B±3 in mm	L±3 in mm
1.015-12-12	19	M 30x1.5	36	14,8	32	73	112
1.015-16-12	19	M 38x1.5	46	14,8	33	70	109
1.015-12-16	25	M 30x1.5	36	15,0	35	80	126
1.015-16-16	25	M 38x1.5	46	21,0	32	82	128
1.015-20-16	25	M 45x1.5	55	21,0	35	79	125
1.015-16-20	31	M 38x1.5	46	20,0	40	115	169
1.015-20-20	31	M 45x1.5	55	26,5	40	109	163
1.015-24-20	31	M 52x1.5	60	26,5	40	110	164

Order no.	DN in mm	T	SW in mm	min. D in mm	E±3 in mm	B±3 in mm	L±3 in mm
1.015-20-24	38	M 45x1.5	55	27,0	47	114	171
1.015-24-24	38	M 52x1.5	60	32,8	49	115	172
1.015-32-24	38	M 65x2.0	75	32,8	50	117	174
1.015-24-32	51	M 52x1.5	60	30,0	54	131	206
1.015-32-32	51	M 65x2.0	75	44,5	54	131	206
1.015-40-32	51	M 78x2.0	90	44,5	51	129	204
1.015-32-36	60	M 65x2.0	75	44,5	56	158	238
1.015-40-36	60	M 78x2.0	90	52,0	54	158	238
1.015-48-36	60	M 90x2.0	100	52,0	54	159	239
1.015-40-40	63	M 78x2.0	90	52,0	53	148	228
1.015-40-48	76	M 78x2.0	90	53,0	61	158	233
1.015-48-48	76	M 90x2.0	100	68,0	53	147	222
1.015-56-48	76	M 100x2.0	110	68,0	53	147	222

**Note**

this version is also available for 4SP hoses

**Ferrule**

no-skive (101) // skive (100 / 110 / 120)

**Options**

O-ring version on request (DKOM)

# Pressure fittings DKM 90°

Updated at:  
24.05.2022

## Connection

Sealing head 60° outside cone with nut LL series

## Standard

DIN 3863

## Application

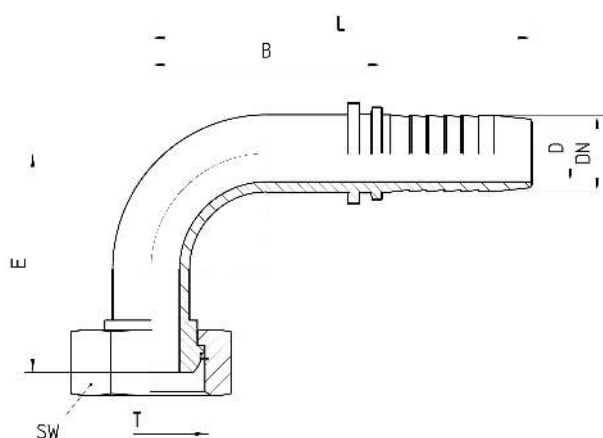
TE / SN / SC / SN-K / PTFE flexible tubes

## Material

Steel

## Surface protection

Zinc-electroplated



Order no.	DN in mm	T	SW in mm	min. D in mm	E±3 in mm	B±3 in mm	L±3 in mm
1.019-12-12	19	M 30x1.5	36	14,8	61	60	99
1.019-16-12	19	M 38x1.5	46	14,8	61	60	99
1.019-12-16	25	M 30x1.5	36	15,0	60	68	114
1.019-16-16	25	M 38x1.5	46	21,0	69	68	114
1.019-20-16	25	M 45x1.5	55	21,0	70	68	114
1.019-16-20	31	M 38x1.5	46	20,0	84	94	148
1.019-20-20	31	M 45x1.5	55	26,5	82	94	148
1.019-24-20	31	M 52x1.5	60	26,5	83	94	148

Order no.	DN in mm	T	SW in mm	min. D in mm	E±3 in mm	B±3 in mm	L±3 in mm
1.019-20-24	38	M 45x1.5	55	27,0	104	105	162
1.019-24-24	38	M 52x1.5	60	32,8	101	105	162
1.019-32-24	38	M 65x2.0	75	32,8	103	105	162
1.019-24-32	51	M 52x1.5	60	33,0	114	130	205
1.019-32-32	51	M 65x2.0	75	44,5	112	130	205
1.019-40-32	51	M 78x2.0	90	44,5	117	130	205
1.019-32-36	60	M 65x2.0	75	44,5	129	173	253
1.019-40-36	60	M 78x2.0	90	52,0	129	173	253
1.019-48-36	60	M 90x2.0	100	52,0	129	173	253
1.019-40-40	63	M 78x2.0	90	52,0	128	157	237
1.019-40-48	76	M 78x2.0	90	53,0	142	150	225
1.019-48-48	76	M 90x2.0	100	68,0	131	150	225
1.019-56-48	76	M 100x2.0	100	68,0	131	150	225

**Note**

this version is also available for 4SP hoses

**Ferrule**

no-skive (101) // skive (100 / 110 / 120)

**Options**

O-ring version on request (DKOM)

# Pressure fittings BEL straight

Updated at:  
24.05.2022

## Connection

Pipe connection for cutting ring coupling L series

## Standard

ISO 8434-1

## Application

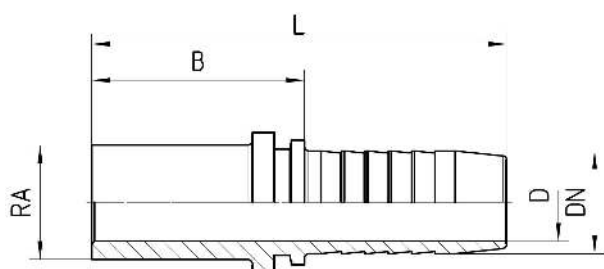
TE / SN / SC / SN-K / PTFE flexible tubes

## Material

Steel

## Surface protection

Zinc-electroplated



Order no.	DN in mm	RA	min. D in mm	B±3 in mm	L±3 in mm
1.103-03-04	06	6L	3,5	34	61
1.103-04-04	06	8L	4,0	34	61
1.103-05-04	06	10L	4,0	36	63
1.103-04-05	08	8L	4,0	30	57
1.103-05-05	08	10L	5,5	30	57
1.103-06-05	08	12L	5,5	32	59
1.103-05-06	10	10L	7,0	30	60
1.103-06-06	10	12L	7,0	32	62

Order no.	DN in mm	RA	min. D in mm	B±3 in mm	L±3 in mm
1.103-08-06	10	15L	7,0	34	64
1.103-06-08	12	12L	7,0	34	65
1.103-08-08	12	15L	10,0	36	67
1.103-10-08	12	18L	10,0	39	70
1.103-10-10	16	18L	13,0	38	72
1.103-12-12	19	22L	15,0	41	80
1.103-16-16	25	28L	21,0	47	93
1.103-20-20	31	35L	27,0	47	101
1.103-24-24	38	42L	36,0	73	130



## Pressure fittings BEL 45°

Updated at:  
24.05.2022

### Connection

Pipe connection for cutting ring coupling L series

### Standard

ISO 8434-1

### Application

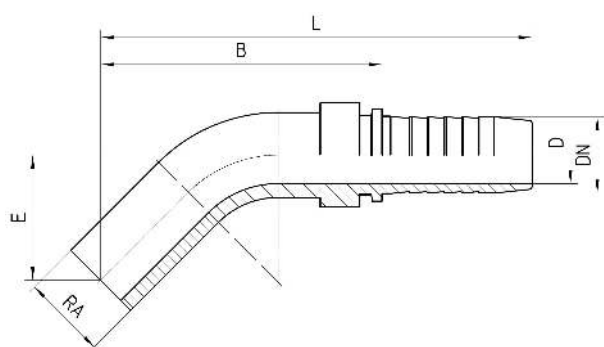
TE / SN / SC / SN-K / PTFE flexible tubes

### Material

Steel

### Surface protection

Zinc-electroplated



Order no.	DN in mm	RA	min. D in mm	E±3 in mm	B±3 in mm	L±3 in mm
1.105-03-04	06	6L	3,0	20,0	51	78
1.105-04-04	06	8L	4,0	20,0	53	80
1.105-05-04	06	10L	4,0	22,0	54	81
1.105-04-05	08	8L	5,0	20,0	53	80
1.105-05-05	08	10L	5,5	22,0	53	80
1.105-06-05	08	12L	5,5	22,0	57	84
1.105-05-06	10	10L	7,0	22,0	52	82
1.105-06-06	10	12L	7,0	22,0	57	87

Order no.	DN in mm	RA	min. D in mm	E±3 in mm	B±3 in mm	L±3 in mm
1.105-08-06	10	15L	7,0	22,5	61	91
1.105-06-08	12	12L	7,0	22,0	60	91
1.105-08-08	12	15L	10,0	22,5	63	94
1.105-10-08	12	18L	10,0	31,0	77	108
1.105-10-10	16	18L	13,0	31,0	76	110
1.105-12-12	19	22L	15,0	32,0	84	123
1.105-16-16	25	28L	21,0	40,0	95	141
1.105-20-20	31	35L	27,0	34,0	104	158
1.105-24-24	38	42L	32,0	46,0	112	169

## Pressure fittings BEL 90°

Updated at:  
24.05.2022

### Connection

Pipe connection for cutting ring coupling L series

### Standard

ISO 8434-1

### Application

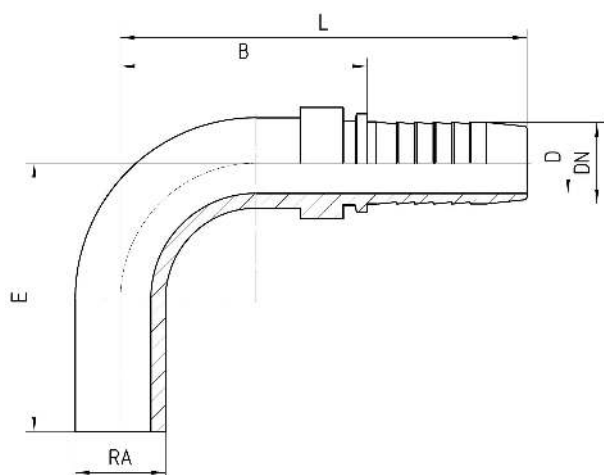
TE / SN / SC / SN-K / PTFE flexible tubes

### Material

Steel

### Surface protection

Zinc-electroplated



Order no.	DN in mm	RA	min. D in mm	E±3 in mm	B±3 in mm	L±3 in mm
1.109-03-04	06	6L	3,0	35	36	63
1.109-04-04	06	8L	4,0	38	38	65
1.109-05-04	06	10L	4,0	40	40	67
1.109-04-05	08	8L	5,0	35	42	69
1.109-05-05	08	10L	5,5	40	41	68
1.109-06-05	08	12L	5,5	42	47	74
1.109-05-06	10	10L	7,0	40	38	68

Order no.	DN in mm	RA	min. D in mm	E±3 in mm	B±3 in mm	L±3 in mm
1.109-06-06	10	12L	7,0	42	45	75
1.109-08-06	10	15L	7,0	45	51	81
1.109-06-08	12	12L	7,0	42	48	79
1.109-08-08	12	15L	10,0	45	54	85
1.109-10-08	12	18L	10,0	60	62	93
1.109-10-10	16	18L	13,0	60	61	95
1.109-12-12	19	22L	15,0	65	71	110
1.109-16-16	25	28L	21,0	80	79	125
1.109-20-20	31	35L	27,0	90	91	145
1.109-24-24	38	42L	32,0	100	101	158

# Pressure fittings CEL straight

Updated at:  
24.05.2022

## Connection

Metric male thread 24° with inner cone and pipe connection L series

## Standard

ISO 8434-1

## Application

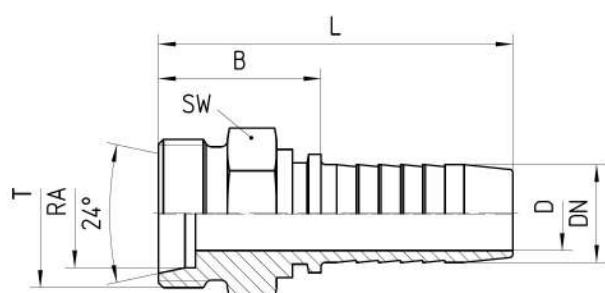
TE / SN / SC / SN-K / PTFE flexible tubes

## Material

Steel

## Surface protection

Zinc-electroplated



Order no.	DN in mm	RA	T	SW in mm	min. D in mm	B±3 in mm	L±3 in mm
1.170-03-04	06	6L	M 12x1.5	14	4,0	23	51
1.170-04-04	06	8L	M 14x1.5	14	4,0	22	50
1.170-05-04	06	10L	M 16x1.5	17	4,0	23	51
1.170-04-05	08	8L	M 14x1.5	14	5,5	30	57
1.170-05-05	08	10L	M 16x1.5	17	5,5	24	52
1.170-06-05	08	12L	M 18x1.5	19	5,5	24	52
1.170-05-06	10	10L	M 16x1.5	17	7,0	24	54
1.170-06-06	10	12L	M 18x1.5	19	7,0	27	57

Order no.	DN in mm	RA	T	SW in mm	min. D in mm	B±3 in mm	L±3 in mm
1.170-08-06	10	15L	M 22x1.5	22	7,0	25	55
1.170-06-08	12	12L	M 18x1.5	19	7,0	33	64
1.170-08-08	12	15L	M 22x1.5	22	10,0	30	61
1.170-10-08	12	18L	M 26x1.5	27	10,0	33	64
1.170-08-10	16	15L	M 22x1.5	22	13,0	36	70
1.170-10-10	16	18L	M 26x1.5	27	13,0	30	64
1.170-12-10	16	22L	M 30x2.0	30	13,0	37	71
1.170-10-12	19	18L	M 26x1.5	27	15,0	37	76
1.170-12-12	19	22L	M 30x2.0	32	15,0	33	72
1.170-16-12	19	28L	M 36x2.0	36	15,0	39	78
1.170-12-16	25	22L	M 30x2.0	30	15,0	42	88
1.170-16-16	25	28L	M 36x2.0	36	21,0	34	81
1.170-20-16	25	35L	M 45x2.0	46	21,0	44	90
1.170-16-20	31	28L	M 36x2.0	36	21,0	45	100
1.170-20-20	31	35L	M 45x2.0	46	27,0	38	93
1.170-20-24	38	35L	M 45x2.0	46	27,0	47	105
1.170-24-24	38	42L	M 52x2.0	55	32,0	41	99

# Pressure fittings CEL 45°

Updated at:  
24.05.2022

## Connection

Metric male thread 24° with inner cone and pipe connection L series

## Standard

ISO 8434-1

## Application

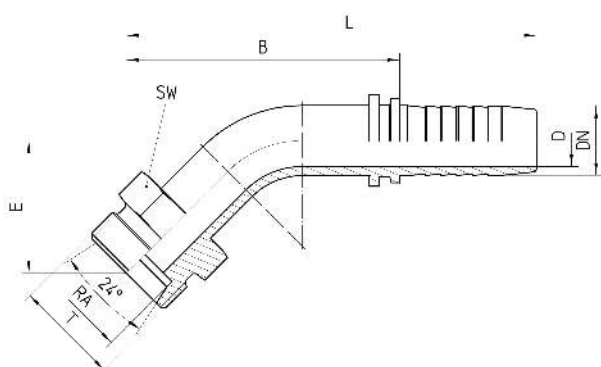
TE / SN / SC / SN-K / PTFE flexible tubes

## Material

Steel

## Surface protection

Zinc-electroplated



Order no.	DN in mm	RA	T	SW in mm	min. D in mm	E±3 in mm	B±3 in mm	L±3 in mm
1.175-03-04	06	6L	M 12x1.5	14	4,0	17	41	68
1.175-04-04	06	8L	M 14x1.5	14	4,0	19	40	67
1.175-05-04	06	10L	M 16x1.5	17	4,0	17	40	67
1.175-04-05	08	8L	M 14x1.5	14	5,5	17	46	73
1.175-05-05	08	10L	M 16x1.5	17	5,5	20	44	71
1.175-06-05	08	12L	M 18x1.5	19	5,5	20	45	72
1.175-05-06	10	10L	M 16x1.5	17	7,0	20	43	73
1.175-06-06	10	12L	M 18x1.5	19	7,0	20	43	73

Order no.	DN in mm	RA	T	SW in mm	min. D in mm	E±3 in mm	B±3 in mm	L±3 in mm
1.175-08-06	10	15L	M 22x1.5	22	7,0	21	42	72
1.175-06-08	12	12L	M 18x1.5	19	10,0	23	57	88
1.175-08-08	12	15L	M 22x1.5	22	10,0	26	53	84
1.175-10-08	12	18L	M 26x1.5	27	10,0	25	54	85
1.175-08-10	16	15L	M 22x1.5	22	12,6	32	68	102
1.175-10-10	16	18L	M 26x1.5	27	12,6	30	68	102
1.175-12-10	16	22L	M 30x2.0	30	12,6	32	69	103
1.175-10-12	19	18L	M 26x1.5	27	14,8	36	80	119
1.175-12-12	19	22L	M 30x2.0	32	14,8	39	80	119
1.175-16-12	19	28L	M 36x2.0	36	14,8	38	80	119
1.175-12-16	25	22L	M 30x2.0	30	16,6	38	86	132
1.175-16-16	25	28L	M 36x2.0	36	21,1	34	83	129
1.175-20-16	25	35L	M 45x2.0	46	21,1	38	86	132
1.175-16-20	31	28L	M 36x2.0	36	22,5	47	116	170
1.175-20-20	31	35L	M 45x2.0	46	26,5	47	116	170
1.175-20-24	38	35L	M 45x2.0	46	29,0	50	120	177
1.175-24-24	38	42L	M 52x2.0	55	32,8	52	121	178



# Pressure fittings CEL 90°

Updated at:  
24.05.2022

## Connection

Metric male thread 24° with inner cone and pipe connection L series

## Standard

ISO 8434-1

## Application

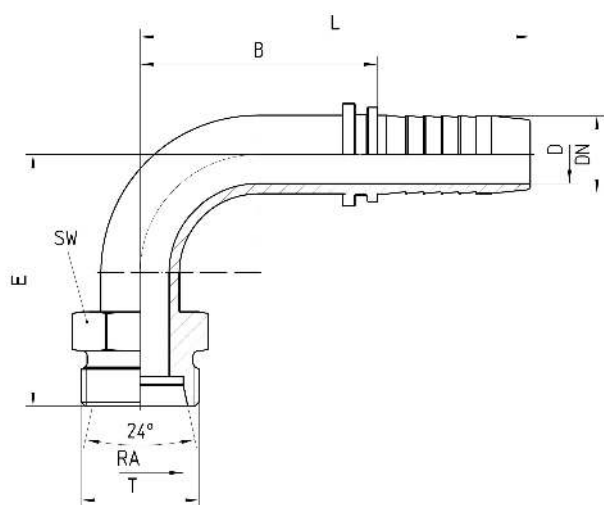
TE / SN / SC / SN-K / PTFE flexible tubes

## Material

Steel

## Surface protection

Zinc-electroplated



PRESSURE  
FITTINGS

Order no.	DN in mm	RA	T	SW in mm	min. D in mm	E±3 mm	B±3 in mm	L±3 in mm
1.179-03-04	06	6L	M 12x1.5	14	4,0	33	26	53
1.179-04-04	06	8L	M 14x1.5	14	4,0	32	26	53
1.179-05-04	06	10L	M 16x1.5	17	4,0	33	26	53
1.179-04-05	08	8L	M 14x1.5	14	5,5	33	30	57
1.179-05-05	08	10L	M 16x1.5	17	5,5	34	30	57
1.179-06-05	08	12L	M 18x1.5	19	5,5	34	30	57

Order no.	DN in mm	RA	T	SW in mm	min. D in mm	E±3 mm	B±3 in mm	L±3 in mm
1.179-05-06	10	10L	M 16x1.5	17	7,0	37	30	60
1.179-06-06	10	12L	M 18x1.5	19	7,0	34	32	62
1.179-08-06	10	15L	M 22x1.5	22	7,0	36	32	62
1.179-06-08	12	12L	M 18x1.5	19	10,0	48	42	73
1.179-08-08	12	15L	M 22x1.5	22	10,0	48	40	71
1.179-10-08	12	18L	M 26x1.5	27	10,0	49	42	73
1.179-08-10	16	15L	M 22x1.5	22	12,6	58	52	86
1.179-10-10	16	18L	M 26x1.5	27	12,6	56	52	86
1.179-12-10	16	22L	M 30x2.0	30	12,6	60	52	86
1.179-10-12	19	18L	M 26x1.5	27	14,8	69	60	99
1.179-12-12	19	22L	M 30x2.0	32	14,8	68	61	100
1.179-16-12	19	28L	M 36x2.0	36	14,8	70	60	99
1.179-12-16	25	22L	M 30x2.0	30	16,6	76	68	114
1.179-16-16	25	28L	M 36x2.0	36	21,1	73	68	114
1.179-20-16	25	35L	M 45x2.0	46	21,1	65	68	114
1.179-16-20	31	28L	M 36x2.0	36	22,5	90	94	148
1.179-20-20	31	35L	M 45x2.0	46	26,5	90	94	148
1.179-20-24	38	35L	M 45x2.0	46	29,0	103	105	162
1.179-24-24	38	42L	M 52x2.0	55	32,8	87	105	162

# Pressure fittings DKL straight

Updated at:  
24.05.2022

## Connection

Universal sealing head 23° outside cone with metric nut L series

## Standard

ISO 8434-1

## Application

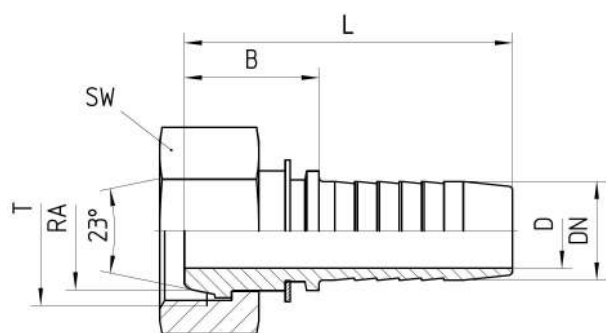
TE / SN / SC / SN-K / PTFE flexible tubes

## Material

Steel

## Surface protection

Zinc-electroplated



Order no.	DN in mm	RA	T	SW in mm	min. D in mm	B±3 in mm	L±3 in mm
1.041-03-04	06	6L	M 12x1.5	14	3,5	24	51
1.041-04-04	06	8L	M 14x1.5	17	4,0	20	47
1.041-05-04	06	10L	M 16x1.5	19	4,0	20	48
1.041-04-05	08	8L	M 14x1.5	17	4,0	24	51
1.041-05-05	08	10L	M 16x1.5	19	5,5	20	48
1.041-06-05	08	12L	M 18x1.5	22	5,5	20	48
1.041-05-06	10	10L	M 16x1.5	19	7,0	25	55
1.041-06-06	10	12L	M 18x1.5	22	7,0	21	51

Order no.	DN in mm	RA	T	SW in mm	min. D in mm	B±3 in mm	L±3 in mm
1.041-08-06	10	15L	M 22x1.5	27	7,0	22	52
1.041-06-08	12	12L	M 18x1.5	22	7,0	28	59
1.041-08-08	12	15L	M 22x1.5	27	10,0	23	54
1.041-10-08	12	18L	M 26x1.5	32	10,0	26	57
1.041-08-10	16	15L	M 22x1.5	27	10,0	28	62
1.041-10-10	16	18L	M 26x1.5	32	13,0	25	59

# Pressure fittings DKL 45°

Updated at:  
24.05.2022

## Connection

Universal sealing head 23° outside cone with metric nut L series

## Standard

ISO 8434-1

## Application

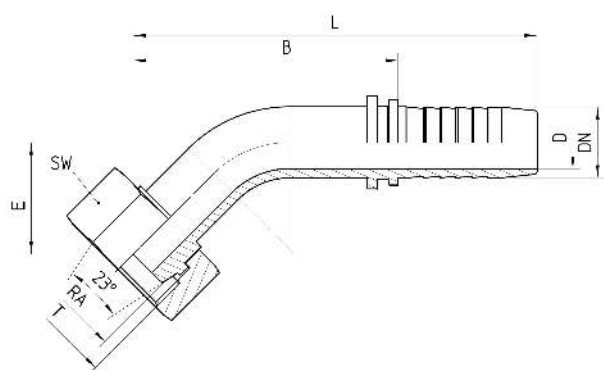
TE / SN / SC / SN-K / PTFE flexible tubes

## Material

Steel

## Surface protection

Zinc-electroplated



Order no.	DN in mm	RA	T	SW in mm	min. D in mm	E±3 in mm	B±3 in mm	L±3 in mm
1.045-03-04	06	6L	M 12x1.5	14	4,0	16	35	62
1.045-04-04	06	8L	M 14x1.5	17	4,0	16	35	62
1.045-05-04	06	10L	M 16x1.5	19	4,0	17	36	63
1.045-04-05	08	8L	M 14x1.5	17	4,0	18	38	65
1.045-05-05	08	10L	M 16x1.5	19	5,5	18	38	65
1.045-06-05	08	12L	M 18x1.5	22	5,5	18	39	66
1.045-05-06	10	10L	M 16x1.5	19	7,0	18	37	67
1.045-06-06	10	12L	M 18x1.5	22	7,0	18	37	67

Order no.	DN in mm	RA	T	SW in mm	min. D in mm	E±3 in mm	B±3 in mm	L±3 in mm
1.045-08-06	10	15L	M 22x1.5	27	7,0	18	36	66
1.045-06-08	12	12L	M 18x1.5	22	9,0	21	52	83
1.045-08-08	12	15L	M 22x1.5	27	10,0	20	51	82
1.045-10-08	12	18L	M 26x1.5	32	10,0	22	50	81
1.045-08-10	16	15L	M 22x1.5	27	10,0	27	63	97
1.045-10-10	16	18L	M 26x1.5	32	12,6	26	62	96

# Pressure fittings DKL 90°

Updated at:  
24.05.2022

## Connection

Universal sealing head 23° outside cone with metric nut L series

## Standard

ISO 8434-1

## Application

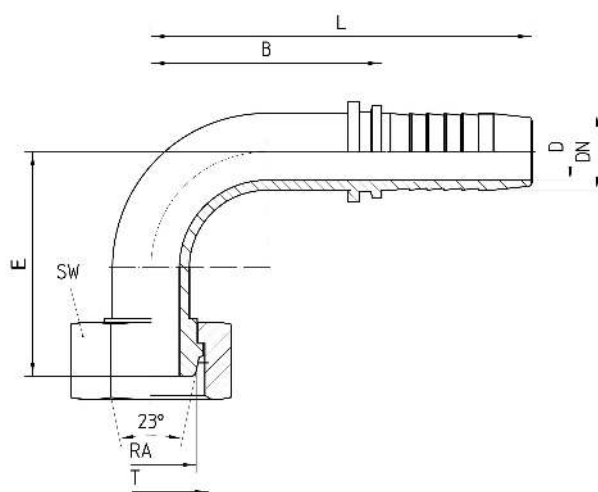
TE / SN / SC / SN-K / PTFE flexible tubes

## Material

Steel

## Surface protection

Zinc-electroplated



Order no.	DN in mm	RA	T	SW in mm	min. D in mm	E±3 in mm	B±3 in mm	L±3 in mm
1.049-03-04	06	6L	M 12x1.5	14	4,0	28	26	53
1.049-04-04	06	8L	M 14x1.5	17	4,0	28	26	53
1.049-05-04	06	10L	M 16x1.5	19	4,0	29	26	53
1.049-04-05	08	8L	M 14x1.5	17	4,0	31	30	57
1.049-05-05	08	10L	M 16x1.5	19	5,5	32	30	57
1.049-06-05	08	12L	M 18x1.5	22	5,5	32	30	57
1.049-05-06	10	10L	M 16x1.5	19	7,0	32	30	60

Order no.	DN in mm	RA	T	SW in mm	min. D in mm	E±3 in mm	B±3 in mm	L±3 in mm
1.049-06-06	10	12L	M 18x1.5	22	7,0	31	30	60
1.049-08-06	10	15L	M 22x1.5	27	7,0	30	30	60
1.049-06-08	12	12L	M 18x1.5	22	9,0	42	42	73
1.049-08-08	12	15L	M 22x1.5	27	10,0	40	42	73
1.049-10-08	12	18L	M 26x1.5	32	10,0	43	42	73
1.049-08-10	16	15L	M 22x1.5	27	10,0	53	52	86
1.049-10-10	16	18L	M 26x1.5	32	12,6	49	52	86



# Pressure fittings DKOL straight

Updated at:  
24.05.2022

## Connection

Sealing head 24° outside cone O-ring sealing with metric nut L series

## Standard

ISO 8434-1

## Application

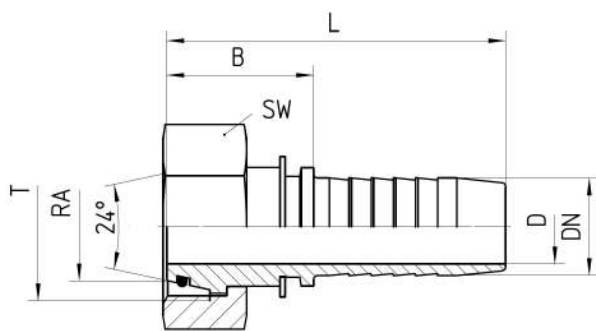
TE / SN / SC / SN-K / PTFE flexible tubes

## Material

Steel

## Surface protection

Zinc-electroplated



Order no.	DN in mm	RA	T	SW in mm	min. D in mm	B±3 in mm	L±3 in mm
1.051-03-04	06	6L	M 12x1.5	14	2,8	25	52
1.051-04-04	06	8L	M 14x1.5	17	4,0	22	50
1.051-05-04	06	10L	M 16x1.5	19	4,0	23	51
1.051-06-04	06	12L	M 18x1.5	22	4,0	23	51
1.051-03-05	08	6L	M 12x1.5	14	2,8	25	52
1.051-04-05	08	8L	M 14x1.5	17	4,0	26	53
1.051-05-05	08	10L	M 16x1.5	19	5,5	23	50
1.051-06-05	08	12L	M 18x1.5	22	5,5	23	50

Order no.	DN in mm	RA	T	SW in mm	min. D in mm	B±3 in mm	L±3 in mm
1.051-04-06	10	8L	M 14x1.5	17	4,0	26	56
1.051-05-06	10	10L	M 16x1.5	19	5,5	27	57
1.051-06-06	10	12L	M 18x1.5	22	7,0	24	54
1.051-08-06	10	15L	M 22x1.5	27	7,0	25	55
1.051-06-08	12	12L	M 18x1.5	22	7,0	30	61
1.051-08-08	12	15L	M 22x1.5	27	10,0	26	57
1.051-10-08	12	18L	M 26x1.5	32	10,0	28	59
1.051-08-10	16	15L	M 22x1.5	27	10,0	29	63
1.051-10-10	16	18L	M 26x1.5	32	13,0	28	62
1.051-12-10	16	22L	M 30x2.0	36	13,0	31	65
1.051-10-12	19	18L	M 26x1.5	32	13,0	32	71
1.051-12-12	19	22L	M 30x2.0	36	15,0	30	69
1.051-16-12	19	28L	M 36x2.0	41	15,0	33	72
1.051-12-16	25	22L	M 30x2.0	36	15,0	37	84
1.051-16-16	25	28L	M 36x2.0	41	21,0	32	79
1.051-20-16	25	35L	M 45x2.0	50	21,0	37	83
1.051-16-20	31	28L	M 36x2.0	41	21,0	39	94
1.051-20-20	31	35L	M 45x2.0	50	27,0	35	90
1.051-24-20	31	42L	M 52x2.0	60	27,0	40	94
1.051-20-24	38	35L	M 45x2.0	50	27,0	41	98
1.051-24-24	38	42L	M 52x2.0	60	32,0	38	95
1.051-24-32	51	42L	M 52x2.0	60	36,0	36	111

# Pressure fittings DKOL 45°

Updated at:  
24.05.2022

## Connection

Sealing head 24° outside cone O-ring sealing with metric nut L series

## Standard

ISO 8434-1

## Application

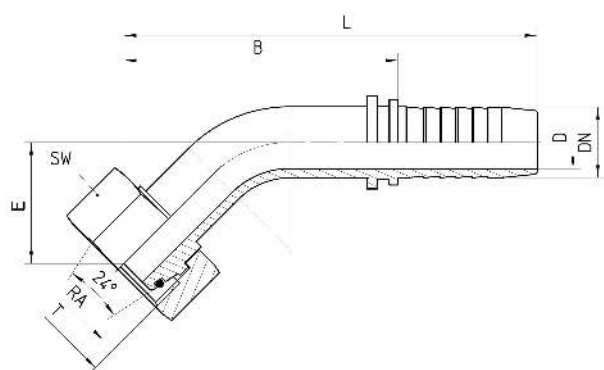
TE / SN / SC / SN-K / PTFE flexible tubes

## Material

Steel

## Surface protection

Zinc-electroplated



Order no.	DN in mm	RA	T	SW in mm	min. D in mm	E±3 in mm	B±3 in mm	L±3 in mm	Note
1.055-03-04	06	6L	M 12x1.5	14	2,8	15	40	63	
1.055-04-04M	06	8L	M 14x1.5	17	4,0	18	37	64	
1.055-05-04	06	10L	M 16x1.5	19	4,0	19	38	65	
1.055-04-05	08	8L	M 14x1.5	17	4,0	18	44	68	
1.055-05-05M	08	10L	M 16x1.5	19	5,5	18	41	68	
1.055-06-05	08	12L	M 18x1.5	22	5,5	20	45	69	
1.055-05-06	10	10L	M 16x1.5	19	5,5	19	40	70	
1.055-06-06M	10	12L	M 18x1.5	22	7,0	18	40	70	

Order no.	DN in mm	RA	T	SW in mm	min. D in mm	E±3 in mm	B±3 in mm	L±3 in mm	Note
1.055-08-06	10	15L	M 22x1.5	27	7,0	19	36	66	
1.055-06-08	12	12L	M 18x1.5	22	8,0	23	52	83	
1.055-08-08M	12	15L	M 22x1.5	27	10,0	23	52	83	
1.055-10-08	12	18L	M 26x1.5	32	10,0	23	50	81	
1.055-08-10	16	15L	M 22x1.5	27	10,0	28	65	99	
1.055-10-10M	16	18L	M 26x1.5	32	13,0	25	64	98	
1.055-12-10	16	22L	M 30x2.0	36	12,6	28	64	98	
1.055-10-12	19	18L	M 26x1.5	32	11,0	34	77	116	
1.055-12-12	19	22L	M 30x2.0	36	14,8	34	77	116	
1.055-16-12	19	28L	M 36x2.0	41	14,8	32	75	114	
1.055-12-16	25	22L	M 30x2.0	36	14,0	38	83	129	
1.055-16-16	25	28L	M 36x2.0	41	21,0	37	82	128	
1.055-20-16	25	35L	M 45x2.0	50	21,0	39	83	129	
1.055-16-20	31	28L	M 36x2.0	41	21,1	40	115	169	
1.055-20-20	31	35L	M 45x2.0	50	26,5	45	107	162	
1.055-24-20	31	42L	M 52x2.0	60	26,5	39	115	163	
1.055-20-24	38	35L	M 45x2.0	50	27,0	51	112	170	
1.055-24-24	38	42L	M 52x2.0	60	32,8	58	120	181	
1.055-24-32	50	42L	M 52x2.0	60	33,0	55	135,3	210	*

**Note**

\* wire nut

# Pressure fittings DKOL 90°

Updated at:  
24.05.2022

## Connection

Sealing head 24° outside cone O-ring sealing with metric nut L series

## Standard

ISO 8434-1

## Application

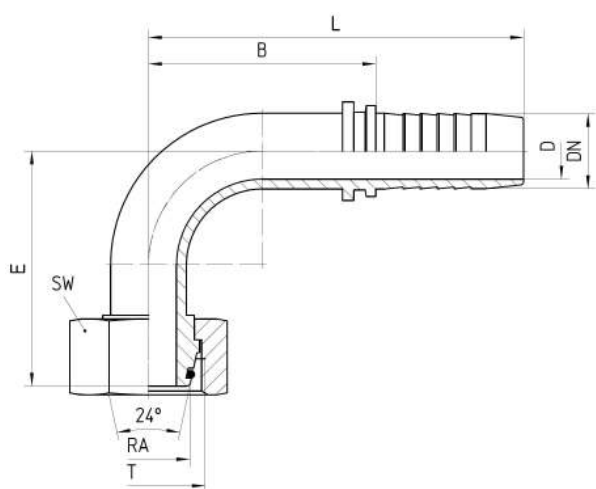
TE / SN / SC / SN-K / PTFE flexible tubes

## Material

Steel

## Surface protection

Zinc-electroplated



Order no.	DN in mm	RA	T	SW in mm	min. D in mm	E±3 in mm	B±3 in mm	L±3 in mm	Note
1.059-03-04	6	6L	M 12x1.5	14	2,8	28	26	53	
1.059-04-04M	6	8L	M 14x1.5	17	4,0	31	23	50	
1.059-05-04	6	10L	M 16x1.5	19	4,0	33	26	53	
1.059-04-05	8	8L	M 14x1.5	17	4,0	33	30	57	
1.059-05-05M	8	10L	M 16x1.5	19	5,5	36	30	57	
1.059-06-05	8	12L	M 18x1.5	22	5,5	35	30	57	
1.059-05-06	10	10L	M 16x1.5	19	5,5	35	30	60	

Order no.	DN in mm	RA	T	SW in mm	min. D in mm	E±3 in mm	B±3 in mm	L±3 in mm	Note
1.059-06-06M	10	12L	M 18x1.5	22	7,0	34	30	60	
1.059-08-06	10	15L	M 22x1.5	27	7,0	35	32	62	
1.059-06-08	12	12L	M 18x1.5	22	8,0	44	42	73	
1.059-08-08M	12	15L	M 22x1.5	27	10,0	43	42	73	
1.059-10-08	12	18L	M 26x1.5	32	10,0	42	42	73	
1.059-08-10	16	15L	M 22x1.5	27	10,0	55	50	84	
1.059-10-10M	16	18L	M 26x1.5	32	13,0	48	47	81	
1.059-12-10	16	22L	M 30x2.0	36	12,6	54	52	86	
1.059-10-12	19	18L	M 26x1.5	32	11,0	64	60	99	
1.059-12-12	19	22L	M 30x2.0	36	14,8	62	61	100	
1.059-16-12	19	28L	M 36x2.0	41	14,8	63	60	99	
1.059-12-16	25	22L	M 30x2.0	36	14,0	72	68	114	
1.059-16-16	25	28L	M 36x2.0	41	21,0	74	66	112	
1.059-20-16	25	35L	M 45x2.0	50	21,0	74	68	114	
1.059-16-20	31	28L	M 36x2.0	41	21,1	87	94	148	
1.059-20-20	31	35L	M 45x2.0	50	26,5	90	87	141	
1.059-24-20	31	42L	M 52x2.0	60	26,5	89	87	141	
1.059-20-24	38	35L	M 45x2.0	50	27,0	106	105	162	
1.059-24-24	38	42L	M 52x2.0	60	32,8	103	105	162	
1.059-24-32	51	42L	M52x2.0	60	32,0	130	130	205	*

**Note**

\* wire nut

# Pressure fittings BES straight

Updated at:  
24.05.2022

## Connection

Pipe connection for cutting ring coupling S series

## Standard

ISO 8434-1

## Application

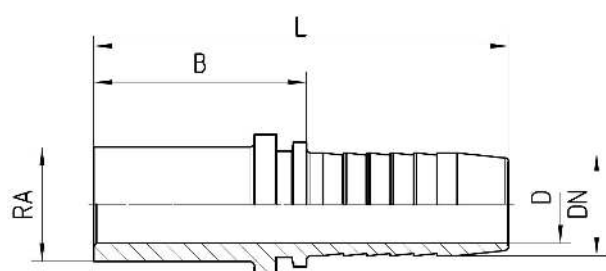
TE / SN / SC / SN-K / PTFE flexible tubes

## Material

Steel

## Surface protection

Zinc-electroplated



Order no.	DN in mm	RA	min. D in mm	B±3 in mm	L±3 in mm
1.123-02-04	06	6S	3,5	34	61
1.123-03-04	06	8S	4,0	34	61
1.123-04-04	06	10S	4,0	36	63
1.123-03-05	08	8S	4,0	30	57
1.123-04-05	08	10S	5,5	30	57
1.123-05-05	08	12S	5,5	32	59
1.123-05-06	10	12S	7,0	32	62
1.123-06-06	10	14S	7,0	37	67

Order no.	DN in mm	RA	min. D in mm	B±3 in mm	L±3 in mm
1.123-08-06	10	16S	7,0	37	67
1.123-06-08	12	14S	10,0	36	67
1.123-08-08	12	16S	10,0	38	69
1.123-10-08	12	20S	10,0	53	84
1.123-10-10	16	20S	13,0	38	72
1.123-12-12	19	25S	15,0	41	80
1.123-16-16	25	30S	21,0	47	93
1.123-20-20	31	38S	27,0	39	93



## Pressure fittings BES 45°

Updated at:  
24.05.2022

### Connection

Pipe connection for cutting ring coupling S series

### Standard

ISO 8434-1

### Application

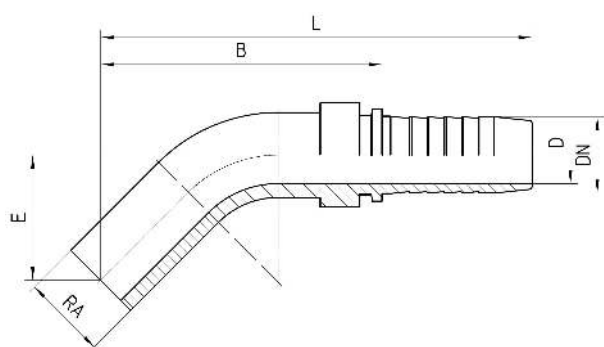
TE / SN / SC / SN-K / PTFE flexible tubes

### Material

Steel

### Surface protection

Zinc-electroplated



Order no.	DN in mm	RA	min. D in mm	E±3 in mm	B±3 in mm	L±3 in mm
1.125-02-04	06	6S	3,0	20,0	51	78
1.125-03-04	06	8S	4,0	20,0	53	80
1.125-04-04	06	10S	4,0	22,0	54	81
1.125-03-05	08	8S	5,0	20,0	53	80
1.125-04-05	08	10S	5,5	22,0	53	80
1.125-05-05	08	12S	5,5	22,0	57	84
1.125-05-06	10	12S	7,0	22,0	57	87
1.125-06-06	10	14S	7,0	22,5	61	91

Order no.	DN in mm	RA	min. D in mm	E±3 in mm	B±3 in mm	L±3 in mm
1.125-08-06	10	16S	7,0	31,0	74	104
1.125-06-08	12	14S	8,0	22,5	63	94
1.125-08-08	12	16S	10,0	31,0	77	108
1.125-10-08	12	20S	10,0	32,0	80	111
1.125-10-10	16	20S	13,0	32,0	81	115
1.125-12-12	19	25S	15,0	40,0	91	130
1.125-16-16	25	30S	20,0	43,0	101	147
1.125-20-20	31	38S	27,0	46,0	110	164

## Pressure fittings BES 90°

Updated at:  
24.05.2022

### Connection

Pipe connection for cutting ring coupling S series

### Standard

ISO 8434-1

### Application

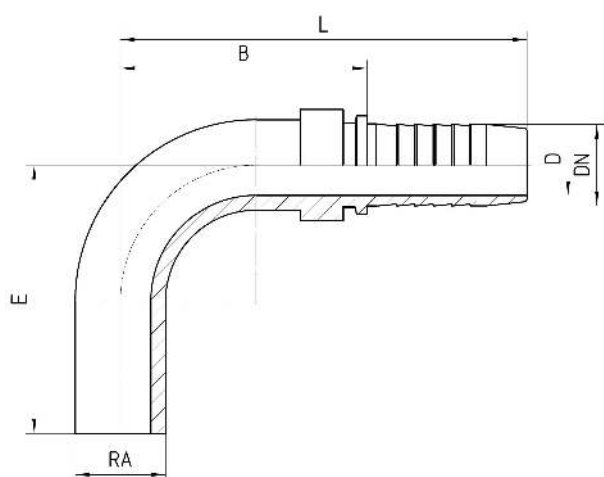
TE / SN / SC / SN-K / PTFE flexible tubes

### Material

Steel

### Surface protection

Zinc-electroplated



Order no.	DN in mm	RA	min. D in mm	E±3 in mm	B±3 in mm	L±3 in mm
1.129-02-04	06	6S	3,0	35	36	63
1.129-03-04	06	8S	4,0	38	38	65
1.129-04-04	06	10S	4,0	40	40	67
1.129-03-05	08	8S	5,0	35	42	69
1.129-04-05	08	10S	5,5	40	41	68
1.129-05-05	08	12S	5,5	42	47	74
1.129-05-06	10	12S	7,0	42	45	75

Order no.	DN in mm	RA	min. D in mm	E±3 in mm	B±3 in mm	L±3 in mm
1.129-06-06	10	14S	7,0	45	51	81
1.129-08-06	10	16S	7,0	60	59	89
1.129-06-08	12	14S	8,0	45	54	85
1.129-08-08	12	16S	10,0	60	62	93
1.129-10-08	12	20S	10,0	65	67	98
1.129-10-10	16	20S	13,0	65	68	102
1.129-12-12	19	25S	11,0	80	74	113
1.129-16-16	25	30S	21,0	90	87	133
1.129-20-20	31	38S	27,0	100	100	154

# Pressure fittings CES straight

Updated at:  
11.01.2023

## Connection

Metric male thread 24° with inner cone, dan pipe connection S series

## Standard

ISO 8434-1

## Application

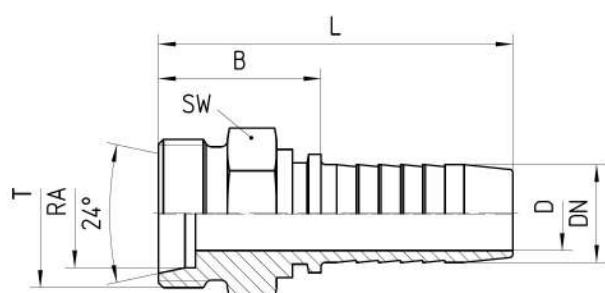
TE / SN / SC / SN-K / PTFE flexible tubes

## Material

Steel

## Surface protection

Zinc-electroplated



Order no.	DN in mm	RA	T	SW in mm	min. D in mm	B±3 in mm	L±3 in mm
1.180-03-04	06	8S	M 16x1.5	17	4,0	28	55
1.180-04-04	06	10S	M 18x1.5	19	4,0	28	55
1.180-05-04	06	12S	M 20x1.5	22	4,0	29	56
1.180-04-05	08	10S	M 18x1.5	19	5,5	29	56
1.180-05-05	08	12S	M 20x1.5	22	5,5	28	55
1.180-06-05	08	14S	M 22x1.5	22	5,5	34	61
1.180-05-06	10	12S	M 20x1.5	22	7,0	27	57
1.180-06-06	10	14S	M 22x1.5	22	7,0	33	63

Order no.	DN in mm	RA	T	SW in mm	min. D in mm	B±3 in mm	L±3 in mm
1.180-08-06	10	16S	M 24x1.5	24	7,0	32	62
1.180-06-08	12	14S	M 22x1.5	22	10,0	36	67
1.180-08-08	12	16S	M 24x1.5	27	10,0	33	64
1.180-10-08	12	20S	M 30x2.0	30	10,0	35	66
1.180-08-10	16	16S	M 24x1.5	24	13,0	36	70
1.180-10-10	16	20S	M 30x2.0	30	13,0	38	72
1.180-12-10	16	25S	M 36x2.0	36	13,0	37	71
1.180-10-12	19	20S	M 30x2.0	30	15,0	36	75
1.180-12-12	19	25S	M 36x2.0	36	15,0	41	80
1.180-16-12	19	30S	M 42x2.0	46	15,0	46	85
1.180-12-16	25	25S	M 36x2.0	36	20,0	49	95
1.180-16-16	25	30S	M 42x2.0	46	21,1	44	90
1.180-20-16	25	38S	M 52x2.0	55	21,1	52	98
1.180-16-20	31	30S	M 42x2.0	46	21,0	55	109
1.180-20-20	31	38S	M 52x2.0	55	27,0	45	99
1.180-20-24	38	38S	M 52x2.0	55	32,5	49	106

# Pressure fittings CES 45°

Updated at:  
24.05.2022

## Connection

Metric male thread 24° with inner cone, dan pipe connection S series

## Standard

ISO 8434-1

## Application

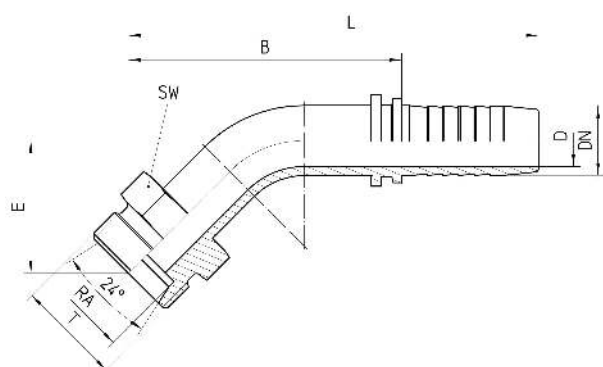
TE / SN / SC / SN-K / PTFE flexible tubes

## Material

Steel

## Surface protection

Zinc-electroplated



Order no.	DN in mm	RA	T	SW in mm	min. D in mm	E±3 in mm	B±3 in mm	L±3 in mm
1.185-03-04	06	8S	M 16x1.5	17	4,0	21	42	69
1.185-04-04	06	10S	M 18x1.5	19	4,0	20	41	68
1.185-05-04	06	12S	M 20x1.5	22	4,0	21	42	69
1.185-04-05	08	10S	M 18x1.5	19	5,5	20	45	72
1.185-05-05	08	12S	M 20x1.5	22	5,5	22	44	71
1.185-06-05	08	14S	M 22x1.5	22	5,5	23	46	73
1.185-05-06	10	12S	M 20x1.5	22	7,0	21	43	73
1.185-06-06	10	14S	M 22x1.5	22	7,0	22	44	74

Order no.	DN in mm	RA	T	SW in mm	min. D in mm	E±3 in mm	B±3 in mm	L±3 in mm
1.185-08-06	10	16S	M 24x1.5	24	7,0	24	48	78
1.185-06-08	12	14S	M 22x1.5	22	10,0	28	56	87
1.185-08-08	12	16S	M 24x1.5	24	10,0	27	55	86
1.185-10-08	12	20S	M 30x2.0	30	10,0	29	55	86
1.185-08-10	16	16S	M 24x1.5	24	12,6	32	68	102
1.185-10-10	16	20S	M 30x2.0	30	12,6	33	70	104
1.185-12-10	16	25S	M 36x2.0	36	12,6	35	71	105
1.185-10-12	19	20S	M 30x2.0	30	14,8	41	82	121
1.185-12-12	19	25S	M 36x2.0	41	14,8	41	82	121
1.185-16-12	19	30S	M 42x2.0	46	14,8	40	82	121
1.185-12-16	25	25S	M 36x2.0	36	16,6	42	90	136
1.185-16-16	25	30S	M 42x2.0	46	21,1	45	92	138
1.185-20-16	25	38S	M 52x2.0	55	21,1	47	93	139
1.185-16-20	31	30S	M 42x2.0	46	20,0	52	120	174
1.185-20-20	31	38S	M 52x2.0	55	26,5	59	126	180
1.185-20-24	38	38S	M 52x2.0	55	26,1	56	126	183



# Pressure fittings CES 90°

Updated at:  
24.05.2022

## Connection

Metric male thread 24° with inner cone, dan pipe connection S series

## Standard

ISO 8434-1

## Application

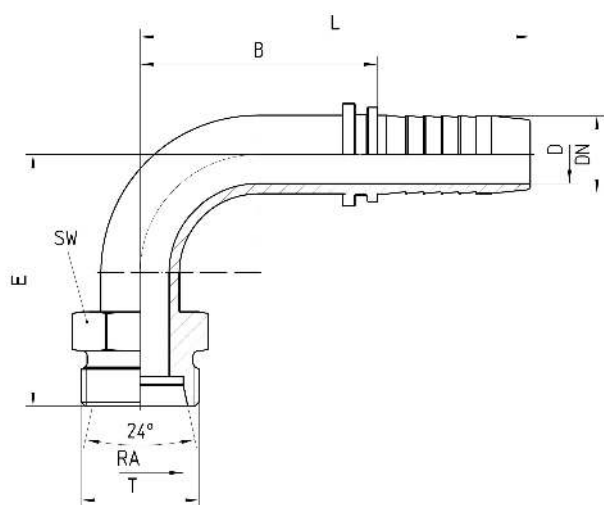
TE / SN / SC / SN-K / PTFE flexible tubes

## Material

Steel

## Surface protection

Zinc-electroplated



Order no.	DN in mm	RA	T	SW in mm	min. D in mm	E±3 in mm	B±3 in mm	L±3 in mm
1.189-03-04	06	8S	M 16x1.5	17	4,0	37	26	53
1.189-04-04	06	10S	M 18x1.5	19	4,0	36	26	53
1.189-05-04	06	12S	M 20x1.5	22	4,0	36	26	53
1.189-04-05	08	10S	M 18x1.5	19	5,5	36	30	57
1.189-05-05	08	12S	M 20x1.5	22	5,5	38	32	59
1.189-06-05	08	14S	M 22x1.5	22	5,5	38	32	59

Order no.	DN in mm	RA	T	SW in mm	min. D in mm	E±3 in mm	B±3 in mm	L±3 in mm
1.189-05-06	10	12S	M 20x1.5	22	7,0	37	31	61
1.189-06-06	10	14S	M 22x1.5	22	7,0	40	31	61
1.189-08-06	10	16S	M 24x1.5	24	7,0	41	30	60
1.189-06-08	12	14S	M 22x1.5	22	10,0	50	42	73
1.189-08-08	12	16S	M 24x1.5	24	10,0	47	42	73
1.189-10-08	12	20S	M 30x2.0	30	10,0	50	42	73
1.189-08-10	16	16S	M 24x1.5	24	12,6	58	52	86
1.189-10-10	16	20S	M 30x2.0	30	12,6	60	52	86
1.189-12-10	16	25S	M 36x2.0	36	12,6	62	52	86
1.189-10-12	19	20S	M 30x2.0	30	14,8	72	61	100
1.189-12-12	19	25S	M 36x2.0	41	14,8	73	60	99
1.189-16-12	19	30S	M 42x2.0	46	14,8	73	60	99
1.189-12-16	25	25S	M 36x2.0	36	21,1	83	68	114
1.189-16-16	25	30S	M 42x2.0	46	21,1	82	68	114
1.189-20-16	25	38S	M 52x2.0	55	21,1	95	68	114
1.189-16-20	31	30S	M 42x2.0	46	26,1	97	94	148
1.189-20-20	31	38S	M 52x2.0	55	26,5	95	94	148
1.189-20-24	38	38S	M 52x2.0	55	32,5	112	105	162

# Pressure fittings DKOS straight

Updated at:  
24.05.2022

## Connection

Sealing head 24° outside cone O-ring sealing with metric nut S series

## Standard

ISO 8434-1

## Application

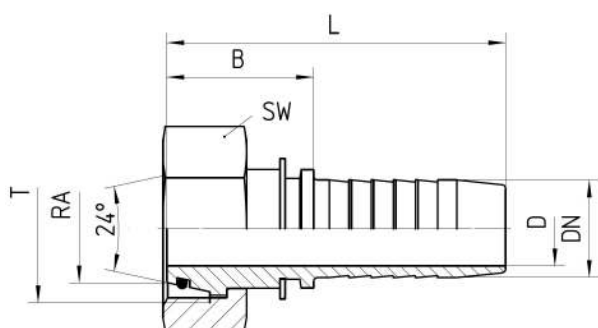
TE / SN / SC / SN-K / PTFE flexible tubes

## Material

Steel

## Surface protection

Zinc-electroplated



Order no.	DN in mm	RA	T	SW in mm	min. D in mm	B±3 in mm	L±3 in mm	Note
1.081-02-04	06	6S	M 14x1.5	17	2,8	25	52	
1.081-03-04	06	8S	M 16x1.5	19	4,0	25	53	
1.081-04-04	06	10S	M 18x1.5	22	4,0	25	53	
1.081-05-04	06	12S	M 20x1.5	24	4,0	27	55	
1.081-04-05	08	10S	M 18x1.5	22	5,5	25	52	
1.081-05-05	08	12S	M 20x1.5	24	5,5	25	52	
1.081-06-05	08	14S	M 22x1.5	27	5,5	29	57	
1.081-05-06	10	12S	M 20x1.5	24	7,0	26	56	

Order no.	DN in mm	RA	T	SW in mm	min. D in mm	B±3 in mm	L±3 in mm	Note
1.081-06-06	10	14S	M 22x1.5	27	7,0	27	56	
1.081-08-06	10	16S	M 24x1.5	30	7,0	28	58	
1.081-06-08	12	14S	M 22x1.5	27	7,0	32	63	
1.081-08-08	12	16S	M 24x1.5	30	10,0	30	61	
1.081-10-08	12	20S	M 30x2.0	36	10,0	33	64	
1.081-08-10	16	16S	M 24x1.5	30	10,0	32	66	
1.081-10-10	16	20S	M 30x2.0	36	13,0	35	69	
1.081-12-10/ SW41	16	25S	M 36x2.0	41	13,0	34	68	a
1.081-12-10/ SW46	16	25S	M 36x2.0	46	13,0	34	68	
1.081-10-12	19	20S	M 30x2.0	36	13,0	35	74	
1.081-12-12/ SW41	19	25S	M 36x2.0	41	15,0	39	78	a
1.081-12-12/ SW46	19	25S	M 36x2.0	46	15,0	39	78	
1.081-16-12	19	30S	M 42x2.0	50	15,0	38	77	
1.081-12-16/ SW46	25	25S	M 36x2.0	46	15,0	41	87	
1.081-16-16	25	30S	M 42x2.0	50	21,0	44	90	
1.081-20-16	25	38S	M 52x2.0	60	21,0	37	84	
1.081-16-20	31	30S	M 42x2.0	50	21,0	41	95	
1.081-20-20	31	38S	M 52x2.0	60	27,0	51	106	
1.081-20-24	38	38S	M 52x2.0	60	27,0	41	99	
1.081-24-24	38	50S	M 68x2.0	80	33,0	53	111	
1.081-24-32	51	50S	M 68x2.0	80	40,0	44	119	

**Note**

a) not according to ISO 8434-1

# Pressure fittings DKOS 45°

Updated at:  
11.01.2023

## Connection

Sealing head 24° outside cone O-ring sealing with metric nut S series

## Standard

ISO 8434-1

## Application

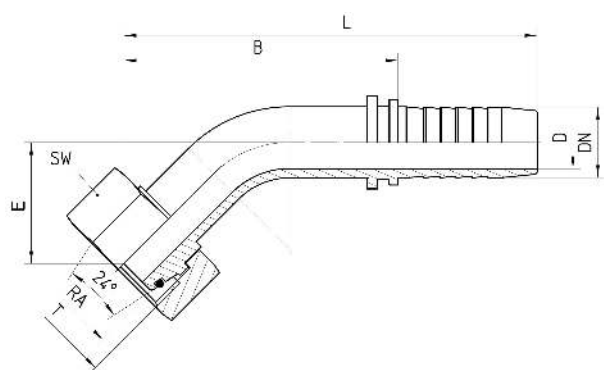
TE / SN / SC / SN-K / PTFE flexible tubes

## Material

Steel

## Surface protection

Zinc-electroplated



Order no.	DN in mm	RA	T	SW in mm	min. D in mm	E±3 in mm	B±3 in mm	L±3 in mm	Note
1.085-03-04	06	8S	M 16x1.5	19	4,0	18	38	65	
1.085-04-04	06	10S	M 18x1.5	22	4,0	18	39	66	
1.085-05-04	06	12S	M 20x1.5	24	4,0	19	39	66	
1.085-04-05	08	10S	M 18x1.5	22	5,5	19	42	69	
1.085-05-05	08	12S	M 20x1.5	24	5,5	19	42	69	
1.085-06-05	08	14S	M 22x1.5	27	5,5	20	43	70	
1.085-05-06	10	12S	M 20x1.5	24	7,0	18	41	71	
1.085-06-06	10	14S	M 22x1.5	27	7,0	20	41	71	

Order no.	DN in mm	RA	T	SW in mm	min. D in mm	E±3 in mm	B±3 in mm	L±3 in mm	Note
1.085-08-06	10	16S	M 24x1.5	30	7,0	20	41	71	
1.085-06-08	12	14S	M 22x1.5	27	7,0	24	54	85	
1.085-08-08	12	16S	M 24x1.5	30	10,0	24	54	85	
1.085-10-08	12	20S	M 30x2.0	36	10,0	29	68	99	
1.085-08-10	16	16S	M 24x1.5	30	10,0	29	65	99	
1.085-10-10	16	20S	M 30x2.0	36	12,6	30	66	100	
1.085-12-10/ SW41	16	25S	M 36x2.0	41	12,6	31	67	101	a
1.085-12-10/ SW46	16	25S	M 36x2.0	46	12,6	31	67	101	
1.085-10-12	19	20S	M 30x2.0	36	13,0	34	78	117	
1.085-12-12/ SW41	19	25S	M 36x2.0	41	14,8	36	79	118	a
1.085-12-12/ SW46	19	25S	M 36x2.0	46	14,8	36	79	118	
1.085-16-12	19	30S	M 42x2.0	50	14,8	34	74	113	
1.085-12-16/ SW46	25	25S	M 36x2.0	46	14,8	40	89	135	
1.085-16-16	25	30S	M 42x2.0	50	21,0	40	88	134	
1.085-20-16	25	38S	M 52x2.0	60	21,1	41	83	129	
1.085-16-20	31	30S	M 42x2.0	50	21,0	42	112	166	
1.085-20-20	31	38S	M 52x2.0	60	26,5	40	109	163	
1.085-20-24	38	38S	M 52x2.0	60	27,0	54	118	175	
1.085-24-24	38	50S	M 68x2.0	80	32,8	49	117	174	

**Note**

a) not according to ISO 8434-1

# Pressure fittings DKOS 90°

Updated at:  
24.05.2022

## Connection

Sealing head 24° outside cone O-ring sealing with metric nut S series

## Standard

ISO 8434-1

## Application

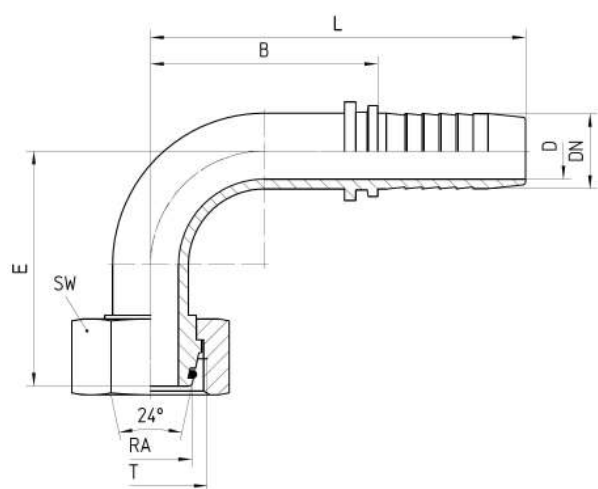
TE / SN / SC / SN-K / PTFE flexible tubes

## Material

Steel

## Surface protection

Zinc-electroplated



Order no.	DN in mm	RA	T	SW in mm	min. D in mm	E±3 in mm	B±3 in mm	L±3 in mm	Note
1.089-03-04	06	8S	M 16x1.5	19	4,0	32	26	53	
1.089-04-04	06	10S	M 18x1.5	22	4,0	33	25	52	
1.089-05-04	06	12S	M 20x1.5	24	4,0	33	26	53	
1.089-04-05	08	10S	M 18x1.5	22	5,5	35	30	57	
1.089-05-05	08	12S	M 20x1.5	24	5,5	35	30	57	
1.089-06-05	08	14S	M 22x1.5	27	5,5	36	31	58	
1.089-05-06	10	12S	M 20x1.5	24	7,0	34	30	60	

Order no.	DN in mm	RA	T	SW in mm	min. D in mm	E±3 in mm	B±3 in mm	L±3 in mm	Note
1.089-06-06	10	14S	M 22x1.5	27	7,0	35	30	60	
1.089-08-06	10	16S	M 24x1.5	30	7,0	36	30	60	
1.089-06-08	12	14S	M 22x1.5	27	7,0	45	42	73	
1.089-08-08	12	16S	M 24x1.5	30	10,0	46	43	74	
1.089-10-08	12	20S	M 30x2.0	36	10,0	48	42	73	
1.089-08-10	16	16S	M 24x1.5	30	10,0	56	52	86	
1.089-10-10	16	20S	M 30x2.0	36	12,6	56	52	86	
1.089-12-10/ SW41	16	25S	M 36x2.0	41	12,6	55	53	87	a
1.089-12-10/ SW46	16	25S	M 36x2.0	46	12,6	55	53	87	
1.089-10-12	19	20S	M 30x2.0	36	13,0	68	60	99	
1.089-12-12/ SW41	19	25S	M 36x2.0	41	14,8	68	61	100	a
1.089-12-12/ SW46	19	25S	M 36x2.0	46	14,8	68	61	100	
1.089-16-12	19	30S	M 42x2.0	50	14,8	65	59	98	
1.089-12-16/ SW46	25	25S	M 36x2.0	46	14,8	64	68	114	
1.089-16-16	25	30S	M 42x2.0	50	21,0	79	68	114	
1.089-20-16	25	38S	M 52x2.0	60	21,1	74	68	114	
1.089-16-20	31	30S	M 42x2.0	50	21,0	87	94	148	
1.089-20-20	31	38S	M 52x2.0	60	26,5	87	81	145	
1.089-20-24	38	38S	M 52x2.0	60	27,0	106	105	162	
1.089-24-24	38	50S	M 68x2.0	80	32,8	115	105	162	

**Note**

a) not according to ISO 8434-1



# Pressure fittings

## AGR Cone straight

Updated at:  
24.05.2022

### Connection

GNP male thread (R) coned sealing

### Application

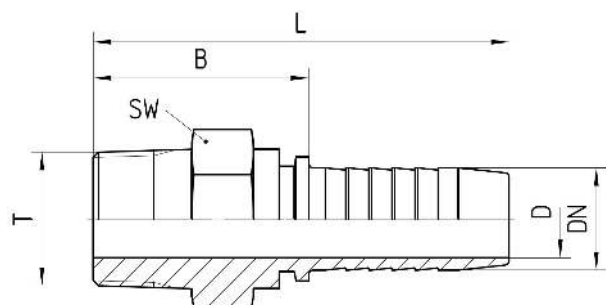
TE / SN / SC / SN-K / PTFE flexible tubes

### Material

Steel

### Surface protection

Zinc-electroplated



Order no.	DN in mm	T in inch	SW in mm	min. D in mm	B±3 in mm	L±3 in mm
1.301-04-04	06	R 1/4	17	4,0	37	64
1.301-06-05	08	R 3/8	22	5,5	37	65
1.301-04-06	10	R 1/4	17	7,0	36	66
1.301-06-06	10	R 3/8	22	7,0	37	67
1.301-08-08	12	R 1/2	22	10,0	42	74
1.301-12-12	19	R 3/4	30	15,0	47	86
1.301-16-16	25	R 1	41	21,0	43	89
1.301-20-20	31	R 1 1/4	46	26,0	59	114
1.301-24-24	38	R 1 1/2	50	32,8	68	126
1.301-32-32	51	R 2	65	44,5	87	162

Order no.	DN in mm	T in inch	SW in mm	min. D in mm	B±3 in mm	L±3 in mm
1.301-40-36	60	R 2 1/2	80	52,0	106	186
1.301-40-40	63	R 2 1/2	80	52,0	103	183
1.301-48-48	76	R 3	90	68,0	93	168

# Pressure fittings

## AGR cylindrical straight

Updated at:  
24.05.2022

### Connection

BSPB male thread (G) with 60° inner cone

### Standard

ISO 8434-6

### Application

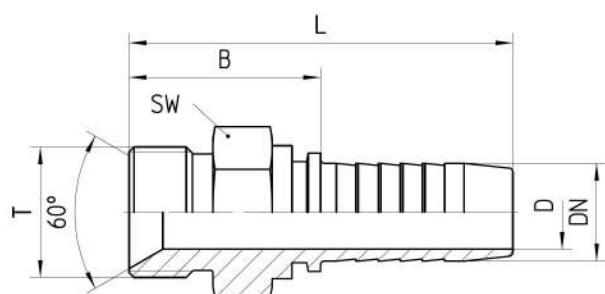
TE / SN / SC / SN-K / PTFE flexible tubes

### Material

Steel

### Surface protection

Zinc-electroplated



Order no.	DN in mm	T in inch	SW in mm	min. D in mm	B±3 in mm	L±3 in mm
1.260-02-04	06	G 1/8	14	4,0	21	49
1.260-04-04	06	G 1/4	19	4,0	27	55
1.260-06-04	06	G 3/8	22	4,0	28	56
1.260-04-05	08	G 1/4	19	5,5	27	55
1.260-06-05	08	G 3/8	22	5,5	28	56
1.260-04-06	10	G 1/4	19	6,9	27	57
1.260-06-06	10	G 3/8	22	7,0	29	59
1.260-08-06	10	G 1/2	27	7,0	33	63

Order no.	DN in mm	T in inch	SW in mm	min. D in mm	B±3 in mm	L±3 in mm
1.260-06-08	12	G 3/8	22	10,0	38	69
1.260-08-08	12	G 1/2	22	10,0	41	72
1.260-10-08	12	G 5/8	30	10,0	42	73
1.260-08-10	16	G 1/2	22	10,0	42	76
1.260-10-10	16	G 5/8	30	13,0	44	78
1.260-12-10	16	G 3/4	30	13,0	42	76
1.260-10-12	19	G 5/8	30	13,5	47	86
1.260-12-12	19	G 3/4	32	15,0	37	77
1.260-16-12	19	G 1	36	15,0	48	87
1.260-12-16	25	G 3/4	30	15,0	49	95
1.260-16-16	25	G 1	36	21,0	41	87
1.260-20-16	25	G 1 1/4	46	21,0	53	99
1.260-16-20	31	G 1	36	23,0	61	115
1.260-20-20	31	G 1 1/4	46	26,5	62	116
1.260-24-20	31	G 1 1/2	50	27,0	57	111
1.260-20-24	38	G 1 1/4	46	27,0	48	106
1.260-24-24	38	G 1 1/2	50	32,8	68	125
1.260-32-24	38	G 2	65	32,8	71	128
1.260-24-32	51	G 1 1/2	50	31,0	61	136
1.260-32-32	51	G 2	65	44,5	51	126
1.260-40-32	51	G 2 1/2	80	44,0	65	140
1.260-32-36	60	G 2	65	44,5	102	182
1.260-40-36	60	G 2 1/2	80	52,0	65	145
1.260-48-36	60	G 3	90	52,0	65	145
1.260-40-40	63	G 2 1/2	80	52,0	63	143
1.260-40-48	76	G 2 1/2	80	58,0	85	160
1.260-48-48	76	G 3	90	68,0	85	160

# Pressure fittings DKR straight

Updated at:  
24.05.2022

## Connection

Sealing head 60° outside cone with BSPP nut (G)

## Standard

ISO 8434-6

## Application

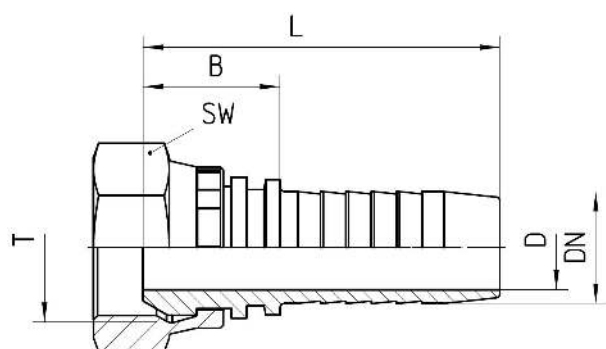
TE / SN / SC / SN-K / PTFE flexible tubes

## Material

Steel

## Surface protection

Zinc-electroplated



Order no.	DN in mm	T in inch	SW in mm	min. D in mm	B±3 in mm	L±3 in mm
1.203-04-04	06	G 1/4	17	4,0	17	44
1.203-06-04	06	G 3/8	22	4,0	19	47
1.203-04-05	08	G 1/4	19	5,5	17	45
1.203-06-05	08	G 3/8	22	5,5	19	47
1.203-06-06	10	G 3/8	22	7,0	19	49
1.203-08-06	10	G 1/2	27	7,0	21	51
1.203-06-08	12	G 3/8	22	7,0	36	67
1.203-08-08	12	G 1/2	27	10,0	23	54

Order no.	DN in mm	T in inch	SW in mm	min. D in mm	B±3 in mm	L±3 in mm
1.203-10-08	12	G 5/8	30	10,0	22	53
1.203-08-10	16	G 1/2	27	10,0	40	74
1.203-10-10	16	G 5/8	30	13,0	22	56
1.203-12-10	16	G 3/4	32	13,0	24	58
1.203-10-12	19	G 5/8	30	12,0	42	81
1.203-12-12	19	G 3/4	32	15,0	24	63
1.203-16-12	19	G 1	41	15,0	48	87
1.203-12-16	25	G 3/4	32	15,0	48	95
1.203-16-16	25	G 1	41	21,0	27	74
1.203-20-16	25	G 1 1/4	50	20,0	54	101
1.203-16-20	31	G 1	41	21,0	54	109
1.203-20-20	31	G 1 1/4	50	27,0	31	86
1.203-24-20	31	G 1 1/2	55	27,0	32	86
1.203-20-24	38	G 1 1/4	50	27,0	58	116
1.203-24-24	38	G 1 1/2	55	32,0	31	89
1.203-32-24	38	G 2	70	32,5	58	116
1.203-24-32	51	G 1 1/2	55	31,0	60	134
1.203-32-32	51	G 2	70	44,5	32	106
1.203-40-36	60	G 2 1/2	85	52,0	80	160
1.203-40-40	63	G 2 1/2	85	52,0	77	157
1.203-48-48	76	G 3	100	68,0	65	140

# Pressure fittings DKR 45°

Updated at:  
24.05.2022

## Connection

Sealing head 60° outside cone with BSPP nut (G)

## Standard

ISO 8434-6

## Application

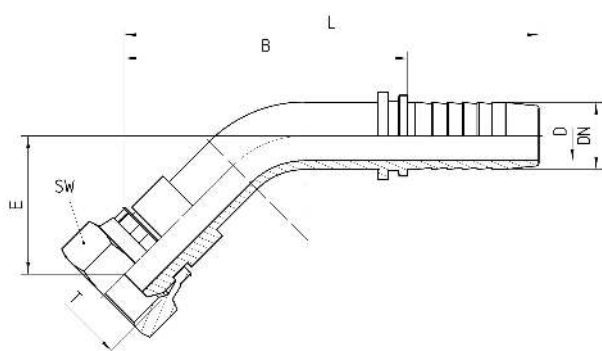
TE / SN / SC / SN-K / PTFE flexible tubes

## Material

Steel

## Surface protection

Zinc-electroplated



Order no.	DN in mm	T in inch	SW in mm	min. D in mm	E±3 in mm	B±3 in mm	L±3 in mm
1.233-04-04	06	1/4	19	4,0	15	41	69
1.233-06-04	06	3/8	22	4,0	18	44	72
1.233-04-05	08	1/4	17	5,5	15	38	65
1.233-06-05	08	3/8	22	5,5	19	51	79
1.233-06-06	10	3/8	22	7,0	15	38	68
1.233-08-06	10	1/2	27	7,0	16	39	69
1.233-06-08	12	3/8	22	7,0	26	56	87
1.233-08-08	12	1/2	27	10,0	29	59	90

Order no.	DN in mm	T in inch	SW in mm	min. D in mm	E±3 in mm	B±3 in mm	L±3 in mm
1.233-10-08	12	5/8	30	10,0	30	57	88
1.233-08-10	16	1/2	27	10,0	33	71	105
1.233-10-10	16	5/8	30	12,0	36	68	102
1.233-12-10	16	3/4	32	12,6	30	73	107
1.233-10-12	19	5/8	30	12,0	38	81	120
1.233-12-12	19	3/4	32	14,8	40	84	123
1.233-16-12	19	1	41	14,8	42	85	124
1.233-12-16	25	3/4	32	14,8	42	91	137
1.233-16-16	25	1	41	21,0	45	94	140
1.233-20-16	25	1 1/4	50	20,0	43	93	139
1.233-16-20	31	1	41	21,0	40	113	167
1.233-20-20	31	1 1/4	50	26,5	48	123	177
1.233-24-20	31	1 1/2	55	26,5	50	114	168
1.233-20-24	38	1 1/4	50	26,5	62	128	185
1.233-24-24	38	1 1/2	55	32,5	64	133	191
1.233-32-24	38	2	70	32,5	65	131	188
1.233-24-32	51	1 1/2	55	32,5	57	127	202
1.233-32-32	51	2	70	44,5	65	140	215
1.233-40-36	60	2 1/2	85	52,0	53	148	228



## Pressure fittings DKR 90°

Updated at:  
24.05.2022

### Connection

Sealing head 60° outside cone with BSPP nut (G)

### Standard

ISO 8434-6

### Application

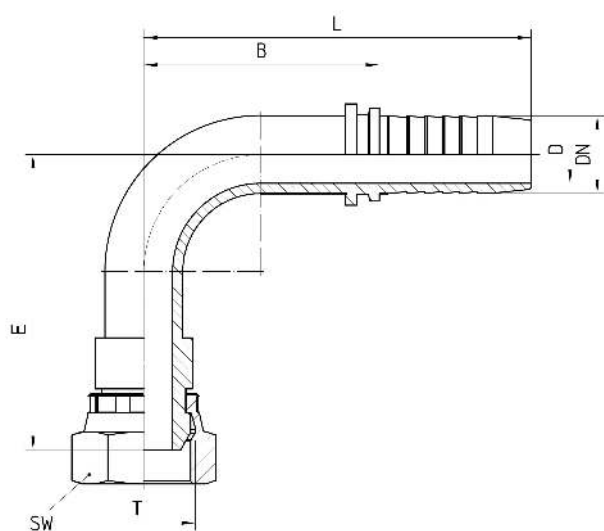
TE / SN / SC / SN-K / PTFE flexible tubes

### Material

Steel

### Surface protection

Zinc-electroplated



Order no.	DN in mm	T in inch	SW in mm	min. D in mm	E±3 in mm	B±3 in mm	L±3 in mm
1.243-04-04	06	G 1/4	19	4,0	27	25	53
1.243-06-04	06	G 3/8	22	4,0	31	25	53
1.243-04-05	08	G 1/4	17	5,5	30	30	57
1.243-06-05	08	G 3/8	22	5,5	36	29	57

Order no.	DN in mm	T in inch	SW in mm	min. D in mm	E±3 in mm	B±3 in mm	L±3 in mm
1.243-06-06	10	G 3/8	22	7,0	30	32	62
1.243-08-06	10	G 1/2	27	7,0	40	31	61
1.243-06-08	12	G 3/8	22	7,0	46	42	73
1.243-08-08	12	G 1/2	27	10,0	52	42	73
1.243-10-08	12	G 5/8	30	10,0	52	42	73
1.243-08-10	16	G 1/2	27	10,0	53	52	86
1.243-10-10	16	G 5/8	30	12,0	60	52	86
1.243-12-10	16	G 3/4	32	12,6	62	52	86
1.243-10-12	19	G 5/8	30	12,0	61	60	99
1.243-12-12	19	G 3/4	32	14,8	75	60	99
1.243-16-12	19	G 1	41	14,8	76	62	101
1.243-12-16	25	G 3/4	32	14,8	72	64	111
1.243-16-16	25	G 1	41	20,0	87	69	116
1.243-20-16	25	G 1 1/4	50	20,0	83	67	114
1.243-16-20	31	G 1	41	21,0	84	93	148
1.243-20-20	31	G 1 1/4	50	26,5	92	93	148
1.243-24-20	31	G 1 1/2	55	26,5	91	93	148
1.243-20-24	38	G 1 1/4	50	26,5	97	104	162
1.243-24-24	38	G 1 1/2	55	32,5	101	104	162
1.243-32-24	38	G 2	70	32,5	102	104	162
1.243-24-32	51	G 1 1/2	55	32,5	120	130	205
1.243-32-32	51	G 2	70	44,5	121	130	205
1.243-40-36	60	G 2 1/2	85	52,0	129	173	253
1.243-40-40	63	G 2 1/2	85	52,0	130	170	250
1.243-48-48	76	3	100	68,0	145	150	225

# Pressure fittings AGJ straight

Updated at:  
24.05.2022

## Connection

UN male thread with 74° outside cone

## Standard

ISO 8434-2

## Application

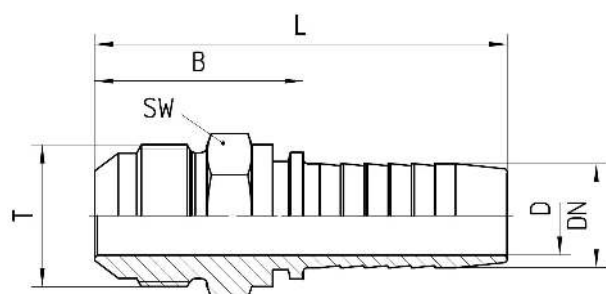
TE / SN / SC / SN-K / PTFE flexible tubes

## Material

Steel

## Surface protection

Zinc-electroplated



Order no.	DN in mm	T in UNF/UN	SW in mm	min. D in mm	B±3 in mm	L±3 in mm
1.370-04-04	06	7/16-20 UNF	12	4,0	27	55
1.370-05-04	06	1/2-20 UNF	14	4,0	27	55
1.370-04-05	08	7/16-20 UNF	14	4,0	38	65
1.370-05-05	08	1/2-20 UNF	14	5,5	27	55
1.370-06-05	08	9/16-18 UNF	15	5,5	27	55
1.370-05-06	10	1/2-20 UNF	14	5,5	34	64
1.370-06-06	10	9/16-18 UNF	15	7,0	27	57
1.370-08-06	10	3/4-16 UNF	19	7,0	30	60

Order no.	DN in mm	T in UNF/UN	SW in mm	min. D in mm	B±3 in mm	L±3 in mm
1.370-06-08	12	9/16-18 UNF	17	7,0	38	69
1.370-08-08	12	3/4-16 UNF	22	10,0	42	73
1.370-10-08	12	7/8-14 UNF	27	10,0	44	75
1.370-08-10	16	3/4-16 UNF	22	10,0	43	77
1.370-10-10	16	7/8-14 UNF	27	12,0	45	79
1.370-12-10	16	1 1/16-12 UN	27	13,0	50	84
1.370-10-12	19	7/8-14 UNF	27	12,0	48	87
1.370-12-12	19	1 1/16-12 UN	27	15,0	39	79
1.370-16-12	19	1 5/16-12 UN	36	15,0	46	85
1.370-12-16	25	1 1/16-12 UN	27	15,0	56	103
1.370-16-16	25	1 5/16-12 UN	36	21,0	58	104
1.370-20-16	25	1 5/8-12 UN	46	21,0	59	106
1.370-16-20	31	1 5/16-12 UN	36	20,0	61	115
1.370-20-20	31	1 5/8-12 UN	46	27,0	63	117
1.370-24-20	31	1 7/8-12 UN	55	27,0	65	120
1.370-24-24	38	1 7/8-12	50	32,0	52	120
1.370-32-32	51	2 1/2-12	70	44,5	76	151

# Pressure fittings DKJ straight

Updated at:  
24.05.2022

## Connection

Sealing head 74° inner cone with UN nut

## Standard

ISO 8434-2

## Application

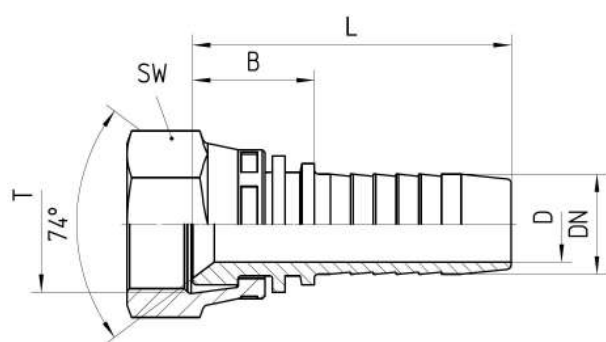
TE / SN / SC / SN-K / PTFE flexible tubes

## Material

Steel

## Surface protection

Zinc-electroplated



Order no.	DN in mm	T in UNF/UN	SW in mm	min. D in mm	B±3 in mm	L±3 in mm
1.313-04-04	06	7/16-20	17	4,0	14	42
1.313-05-04	06	1/2-20	17	4,0	15	43
1.313-04-05	08	7/16-20	17	4,0	16	44
1.313-05-05	08	1/2-20	17	5,5	15	43
1.313-06-05	08	9/16-18	19	5,5	16	44
1.313-05-06	10	1/2-20	17	4,0	18	48
1.313-06-06	10	9/16-18	19	7,0	16	46
1.313-08-06	10	3/4-16	24	7,0	17	47

Order no.	DN in mm	T in UNF/UN	SW in mm	min. D in mm	B±3 in mm	L±3 in mm
1.313-06-08	12	9/16-18	19	6,0	21	52
1.313-08-08	12	3/4-16	24	9,0	37	69
1.313-10-08	12	7/8-14	27	10,0	36	67
1.313-08-10	16	3/4-16	24	9,0	22	56
1.313-10-10	16	7/8-14	27	12,0	37	71
1.313-12-10	16	1 1/16-12	32	13,0	45	79
1.313-10-12	19	7/8-14	27	12,0	40	79
1.313-12-12	19	1 1/16-12	32	15,0	21	61
1.313-16-12	19	1 5/16-12	38	15,0	22	62
1.313-12-16	25	1 1/16-12	32	15,0	25	71
1.313-16-16	25	1 5/16-12	41	21,0	24	70
1.313-20-16	25	1 5/8-12	55	21,0	48	94
1.313-16-20	31	1 5/16-12	41	21,0	50	104
1.313-20-20	31	1 5/8-12	55	27,0	30	85
1.313-24-20	31	1 7/8-12	60	27,0	47	102
1.313-24-24	38	1 7/8-12	60	32,0	35	93
1.313-32-32	51	2 1/2-12	75	44,5	39	114

# Pressure fittings DKJ 45°

Updated at:  
24.05.2022

## Connection

Sealing head 74° inner cone with UN nut

## Standard

ISO 8434-2

## Application

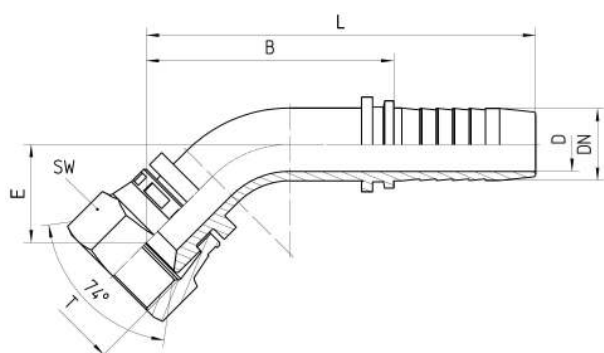
TE / SN / SC / SN-K / PTFE flexible tubes

## Material

Steel

## Surface protection

Zinc-electroplated



Order no.	DN in mm	T in UNF/UN	SW in mm	min. D in mm	E±3 in mm	B±3 in mm	L±3 in mm
1.343-04-04	06	7/16-20 UNF	15	4,0	13	38	66
1.343-05-04	06	1/2-20 UNF	17	4,0	14	40	68
1.343-04-05	08	7/16-20 UNF	17	4,0	20	44	71
1.343-05-05	08	1/2-20 UNF	17	5,5	17	46	74
1.343-06-05	08	9/16-18 UNF	19	5,5	18	47	75
1.343-05-06	10	1/2-20 UNF	17	4,0	21	42	72
1.343-06-06	10	9/16-18 UNF	19	7,0	19	51	81
1.343-08-06	10	3/4-16 UNF	22	7,0	15	51	81

Order no.	DN in mm	T in UNF/UN	SW in mm	min. D in mm	E±3 in mm	B±3 in mm	L±3 in mm
1.343-06-08	12	9/16-18 UNF	19	6,0	25	55	86
1.343-08-08	12	3/4-16 UNF	24	9,0	27	57	88
1.343-10-08	12	7/8-14 UNF	27	10,0	21	51	82
1.343-08-10	16	3/4-16 UNF	24	9,0	30	71	105
1.343-10-10	16	7/8-14 UNF	27	12,0	35	68	102
1.343-12-10	16	1 1/16-12 UN	32	12,0	40	73	107
1.343-10-12	19	7/8-14 UNF	27	12,0	34	81	120
1.343-12-12	19	1 1/16-12 UN	32	15,0	27	67	107
1.343-16-12	19	1 5/16-12 UN	38	15,0	30	72	112
1.343-12-16	25	1 1/16-16 UN	32	15,0	45	96	142
1.343-16-16	25	1 5/16-12 UN	41	21,0	41	82	128
1.343-20-16	25	1 5/8-12 UNF	55	21,0	50	100	147
1.343-16-20	31	1 5/16-20 UN	41	21,0	37	114	168
1.343-20-20	31	1 5/8-12 UN	55	26,5	44	114	168
1.343-24-20	31	1 7/8-12 UN	60	27,0	51	133	187
1.343-24-24	38	1 7/8-12 UN	60	32,8	47	116	173
1.343-32-32	51	2 1/2-12 UN	75	44,5	61	128	202



## Pressure fittings DKJ 90°

Updated at:  
24.05.2022

### Connection

Sealing head 74° inner cone with UN nut

### Standard

ISO 8434-2

### Application

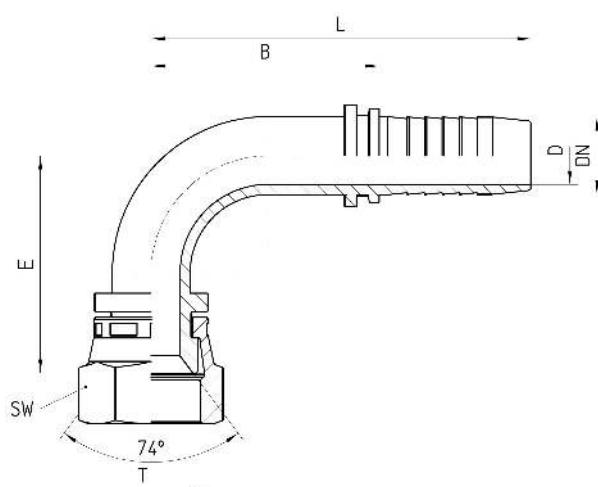
TE / SN / SC / SN-K / PTFE flexible tubes

### Material

Steel

### Surface protection

Zinc-electroplated



Order no.	DN in mm	T in UNF/UN	SW in mm	min. D in mm	E±3 in mm	B±3 in mm	L±3 in mm
1.353-04-04	06	7/16-20 UNF	15	4,0	24	25	53
1.353-05-04	06	1/2-20 UNF	17	4,0	25	25	53
1.353-04-05	08	7/16-20 UNF	17	4,0	37	30	57
1.353-05-05	08	1/2-20 UNF	17	4,0	30	29	57
1.353-06-05	08	9/16-18 UNF	19	4,0	31	29	57
1.353-05-06	10	1/2-20 UNF	17	4,0	37	30	60

Order no.	DN in mm	T in UNF/UN	SW in mm	min. D in mm	E±3 in mm	B±3 in mm	L±3 in mm
1.353-06-06	10	9/16-18 UNF	19	7,0	32	31	61
1.353-08-06	10	3/4-16 UNF	22	7,0	30	30	60
1.353-06-08	12	9/16-18 UNF	19	6,0	49	42	73
1.353-08-08	12	3/4-16 UNF	24	9,0	50	42	73
1.353-10-08	12	7/8-14 UNF	27	10,0	41	42	73
1.353-08-10	16	3/4-16 UNF	24	9,0	53	52	86
1.353-10-10	16	7/8-14 UNF	27	12,0	58	52	86
1.353-12-10	16	1 1/16-12 UN	32	12,0	66	52	86
1.353-10-12	19	7/8-14 UN	27	12,0	60	60	99
1.353-12-12	19	1 1/16-12 UN	32	15,0	55	56	96
1.353-16-12	19	1 5/16-12 UN	38	15,0	60	56	96
1.353-12-16	25	1 1/16-12 UN	32	15,0	88	68	114
1.353-16-16	25	1 5/16-12 UN	41	21,0	81	68	114
1.353-20-16	25	1 5/8-12 UN	55	21,0	74	68	114
1.353-16-20	31	1 5/16-12 UN	41	21,0	75	94	148
1.353-20-20	31	1 5/8-12 UN	55	26,5	91	91	145
1.353-24-20	31	1 7/8-12 UN	60	27,0	103	112	166
1.353-24-24	38	1 7/8-12 UN	60	32,0	101	94	162
1.353-32-32	51	2 1/2-12 UN	75	44,5	132	132	205

# Pressure fittings ORS straight

Updated at:  
24.05.2022

## Connection

Frontal UN male thread O-ring sealing

## Standard

ISO 8434-3

## Application

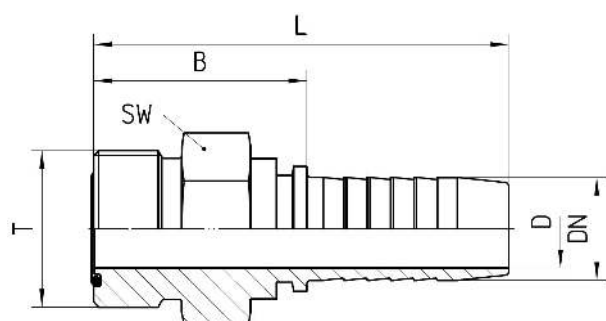
TE / SN / SC / SN-K / PTFE flexible tubes

## Material

Steel

## Surface protection

Zinc-electroplated



Order no.	DN in mm	T in UNF/UN/UNS	SW in mm	min. D in mm	B±3 in mm	L±3 in mm
1.380-04-04	06	9/16-18 UNF	17	4,0	24	51
1.380-06-05	08	11/16-16 UN	19	5,5	25	52
1.380-06-06	10	11/16-16 UN	19	7,0	25	55
1.380-08-08	12	13/16-16 UN	22	9,5	29	61
1.380-10-10	16	1-14 UNS	27	13,0	40	75
1.380-12-10	16	1 3/16-12 UN	32	13,0	43	77
1.380-12-12	19	1 3/16-12 UN	32	15,0	46	85
1.380-16-16	25	1 7/16-12 UN	41	20,5	50	96

Order no.	DN in mm	T in UNF/UN/UNS	SW in mm	min. D in mm	B±3 in mm	L±3 in mm
1.380-20-20	31	1 11/16-12 UN	46	27,0	53	107
1.380-24-24	38	2-12 UN	55	32,0	56	113

# Pressure fittings ORFS straight

Updated at:  
24.05.2022

## Connection

Flat sealing head with UN nut

## Standard

ISO 8434-3

## Application

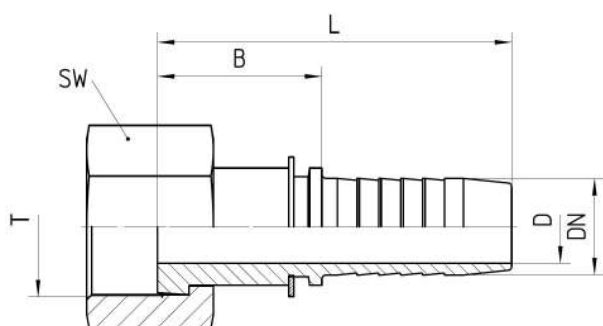
TE / SN / SC / SN-K / PTFE flexible tubes

## Material

Steel

## Surface protection

Zinc-electroplated



Order no.	DN in mm	T in UNF/UN/UNS	SW in mm	min. D in mm	B±3 in mm	L±3 in mm
1.315-04-04	06	9/16-18 UNF	17	4,0	22	49
1.315-06-04	06	11/16-16 UN	22	4,0	22	49
1.315-06-05	08	11/16-16 UN	22	5,5	22	49
1.315-04-06	10	9/16-18 UNF	17	4,0	22	51
1.315-06-06	10	11/16-16 UN	22	7,0	24	54
1.315-08-06	10	13/16-16 UN	24	7,0	22	52
1.315-06-08	12	11/16-16 UN	22	6,6	24	56
1.315-08-08	12	13/16-16 UN	24	10,0	21	52

Order no.	DN in mm	T in UNF/UN/UNS	SW in mm	min. D in mm	B±3 in mm	L±3 in mm
1.315-10-08	12	1-14 UNS	30	10,0	25	56
1.315-08-10	16	13/16-16 UN	24	10,0	26	60
1.315-10-10	16	1-14 UNS	30	13,0	31	65
1.315-12-10	16	1 3/16-12 UN	36	13,0	27	61
1.315-12-12	19	1 3/16-12 UN	36	15,0	34	73
1.315-16-12	19	1 7/16-12 UN	41	15,0	30	69
1.315-16-16	25	1 7/16-12 UN	41	21,0	37	83
1.315-20-16	25	1 11/16-12 UN	50	21,0	34	80
1.315-20-20	31	1 11/16-12 UN	50	27,0	37	91
1.315-24-20	31	2-12 UN	60	27,0	38	92
1.315-24-24	38	2-12 UN	60	32,0	39	96

# Pressure fittings ORFS 45°

Updated at:  
11.01.2023

## Connection

Flat sealing head with UN nut

## Standard

ISO 8434-3

## Application

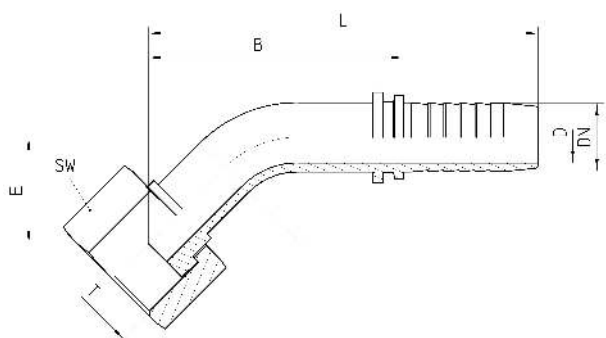
TE / SN / SC / SN-K / PTFE flexible tubes

## Material

Steel

## Surface protection

Zinc-electroplated



Order no.	DN in mm	T in UNF/UN/UNS	SW in mm	min. D in mm	E±3 in mm	B±3 in mm	L±3 in mm
1.345-04-04	06	9/16-18 UNF	17	4,0	13	35	62
1.345-06-04	06	11/16-16 UN	22	4,0	13	35	62
1.345-06-05	08	11/16-16 UN	22	5,5	15	37	64
1.345-04-06	10	9/16-18 UNF	17	4,0	18	50	80
1.345-06-06	10	11/16-16 UN	22	6,6	15	36	66
1.345-08-06	10	13/16-16 UN	24	7,0	15	37	67
1.345-06-08	12	11/16-16 UN	22	6,6	21	63	94
1.345-08-08	12	13/16-16 UN	24	10,0	20	49	80

Order no.	DN in mm	T in UNF/UN/UNS	SW in mm	min. D in mm	E±3 in mm	B±3 in mm	L±3 in mm
1.345-10-08	12	1-14 UNS	30	10,0	21	47	78
1.345-08-10	16	13/16-16 UN	24	10,0	25	66	100
1.345-10-10	16	1-14 UNS	30	12,6	27	60	94
1.345-12-10	16	1 3/16-12 UN	36	12,6	27	62	95
1.345-12-12	19	1 3/16-12 UN	36	14,8	29	75	114
1.345-16-12	19	1 7/16-12 UN	41	14,8	33	75	114
1.345-16-16	25	1 7/16-12 UN	41	21,0	37	83	129
1.345-20-16	25	1 11/16-12 UN	50	21,0	35	83	129
1.345-20-20	31	1 11/16-12 UN	50	26,5	45	114	168
1.345-24-20	31	2-12 UN	60	26,5	45	114	168
1.345-24-24	38	2-12 UN	60	32,8	55	122	179



# Pressure fittings ORFS 90°

Updated at:  
24.05.2022

## Connection

Flat sealing head with UN nut

## Standard

ISO 8434-3

## Application

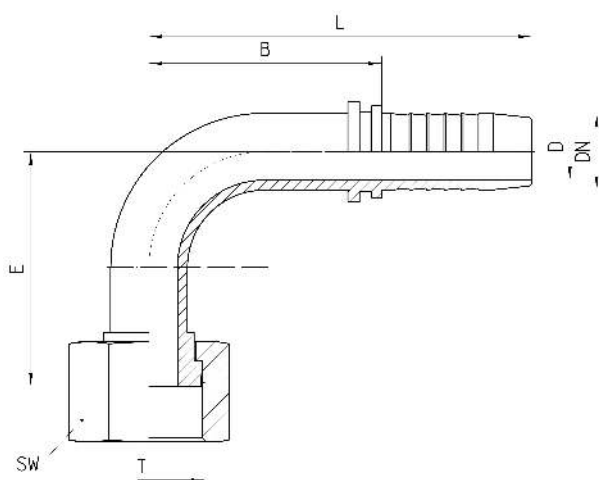
TE / SN / SC / SN-K / PTFE flexible tubes

## Material

Steel

## Surface protection

Zinc-electroplated



Order no.	DN in mm	T in UNF/UN/UNS	SW in mm	min. D in mm	E±3 in mm	B±3 in mm	L±3 in mm
1.355-04-04	06	9/16-18 UNF	17	4,0	27	26	53
1.355-06-04	06	11/16-16 UN	22	4,0	27	26	53
1.355-06-05	08	11/16-16 UN	22	5,5	28	30	57
1.355-04-06	10	9/16-18 UNF	17	4,0	30	43	73
1.355-06-06	10	11/16-16 UN	22	6,6	29	30	60
1.355-08-06	10	13/16-16 UN	24	7,0	30	30	60
1.355-06-08	12	11/16-16 UN	22	6,6	45	49	80

Order no.	DN in mm	T in UNF/UN/UNS	SW in mm	min. D in mm	E±3 in mm	B±3 in mm	L±3 in mm
1.355-08-08	12	13/16-16 UN	24	10,0	39	42	73
1.355-10-08	12	1-14 UNS	30	10,0	39	42	73
1.355-08-10	16	13/16-16 UN	24	10,0	40	52	86
1.355-10-10	16	1-14 UNS	30	12,6	49	52	86
1.355-12-10	16	1 3/16-12 UN	36	12,6	51	52	86
1.355-12-12	19	1 3/16-12 UN	36	14,8	61	60	99
1.355-16-12	19	1 7/16-12 UN	41	14,8	62	60	99
1.355-16-16	25	1 7/16-12 UN	41	21,0	67	68	114
1.355-20-16	25	1 11/16-12 UN	50	21,1	70	68	114
1.355-20-20	31	1 11/16-12 UN	50	26,5	85	94	148
1.355-24-20	31	2-12 UN	60	26,5	105	94	148
1.355-24-24	38	2-12 UN	60	32,8	104	105	162

# Pressure fittings AGN straight

Updated at:  
24.05.2022

## Connection

NPT male thread coned sealing

## Application

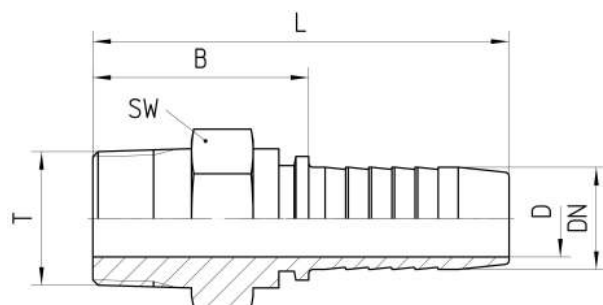
TE / SN / SC / SN-K / PTFE flexible tubes

## Material

Steel

## Surface protection

Zinc-electroplated



Order no.	DN in mm	T in NPTF	SW in mm	min. D in mm	B±3 in mm	L±3 in mm
1.300-02-04	06	1/8 - 27 NPTF	12	4,0	22	50
1.300-04-04	06	1/4 - 18 NPTF	15	4,0	28	56
1.300-06-04	06	3/8 - 18 NPTF	19	4,0	28	56
1.300-04-05	08	1/4 - 18 NPTF	15	5,5	28	56
1.300-06-05	08	3/8 - 18 NPTF	19	5,5	28	56
1.300-04-06	10	1/4 - 18 NPTF	17	7,0	27	57
1.300-06-06	10	3/8 - 18 NPTF	19	7,0	28	58
1.300-08-06	10	1/2 - 14 NPTF	22	7,0	34	64
1.300-06-08	12	3/8 - 18 NPTF	19	7,0	44	75
1.300-08-08	12	1/2 - 14 NPTF	22	10,0	49	80

Order no.	DN in mm	T in NPTF	SW in mm	min. D in mm	B±3 in mm	L±3 in mm
1.300-08-10	16	1/2 - 14 NPTF	22	13,0	40	74
1.300-12-10	16	3/4 - 14 NPTF	27	13,0	50	84
1.300-12-12	19	3/4 - 14 NPTF	27	15,0	42	81
1.300-16-12	19	1 - 11 1/2 NPTF	41	15,0	50	89
1.300-16-16	25	1 - 11 1/2 NPTF	41	21,0	50	96
1.300-16-20	31	1 - 11 1/2 NPTF	41	21,0	55	110
1.300-20-20	31	1 1/4 - 11 1/2 NPTF	46	27,0	67	121
1.300-24-24	38	1 1/2 - 11 1/2 NPTF	50	32,0	49	117
1.300-32-32	51	2 - 11 1/2 NPTF	65	44,5	56	131

# Pressure fittings SFL straight

Updated at:  
24.05.2022

## Connection

SAE flange 3000PSI (L series)

## Standard

ISO 6162-1

## Application

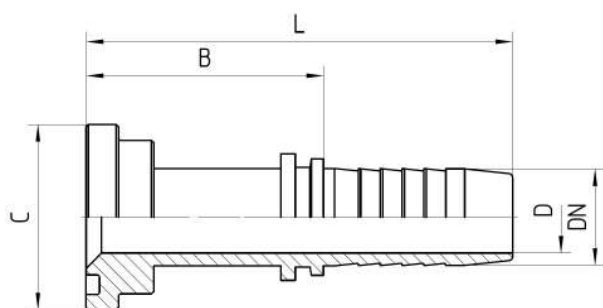
TE / SN / SC / SN-K / PTFE flexible tubes

## Material

Steel

## Surface protection

Zinc-electroplated



Order no.	DN in mm	flange in inch	C in mm	min. D in mm	B±3 in mm	L±3 in mm
1.420-08-08	12	1/2	30,2	10,0	45	76
1.420-12-08	12	3/4	38,1	10,0	48	79
1.420-08-10	16	1/2	30,2	12,6	45	79
1.420-12-10	16	3/4	38,1	12,6	44	78
1.420-08-12	19	1/2	30,2	13,5	52	91
1.420-12-12	19	3/4	38,1	14,8	49	88
1.420-16-12	19	1	44,5	14,8	52	91
1.420-12-16	25	3/4	38,1	20,0	54	100

Order no.	DN in mm	flange in inch	C in mm	min. D in mm	B±3 in mm	L±3 in mm
1.420-16-16	25	1	44,5	21,1	52	98
1.420-20-16	25	1 1/4	50,8	21,1	52	98
1.420-16-20	31	1	44,5	26,5	62	116
1.420-20-20	31	1 1/4	50,8	26,5	60	114
1.420-24-20	31	1 1/2	60,3	26,5	62	116
1.420-20-24	38	1 1/4	50,8	32,5	61	118
1.420-24-24	38	1 1/2	60,3	32,8	62	119
1.420-32-24	38	2	71,4	32,8	63	120
1.420-24-32	51	1 1/2	60,3	34,5	64	139
1.420-32-32	51	2	71,4	44,5	62	137
1.420-40-32	51	2 1/2	84,1	44,5	64	139
1.420-32-36	60	2	71,4	51,0	80	160
1.420-40-36	60	2 1/2	84,1	52,0	79	158
1.420-48-36	60	3	101,6	52,0	80	160
1.420-32-40	63	2	71,4	51,0	79	159
1.420-40-40	63	2 1/2	84,1	52,0	76	156
1.420-48-40	63	3	101,6	52,0	77	157
1.420-40-48	76	2 1/2	84,1	64,0	90	165
1.420-48-48	76	3	101,6	68,0	90	165
1.420-56-48	76	3 1/2	114,3	68,0	101	176

# Pressure fittings SFL 45°

Updated at:  
24.05.2022

## Connection

SAE flange 3000PSI (L series)

## Standard

ISO 6162-1

## Application

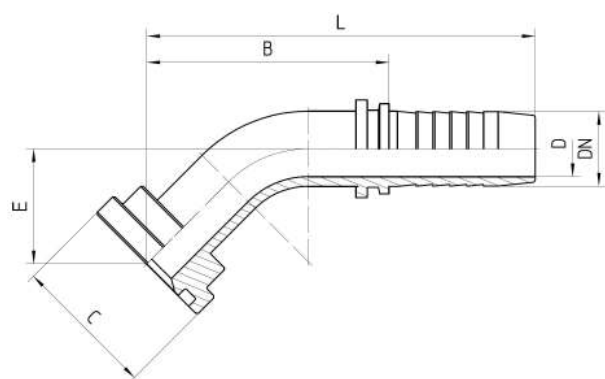
TE / SN / SC / SN-K / PTFE flexible tubes

## Material

Steel

## Surface protection

Zinc-electroplated



Order no.	DN in mm	flange in inch	C in mm	min. D in mm	E±3 in mm	B±3 in mm	L±3 in mm
1.450-08-08	12	1/2	30,2	10,0	21	49	80
1.450-12-08	12	3/4	38,1	10,0	23	51	82
1.450-08-10	16	1/2	30,2	12,6	27	61	95
1.450-12-10	16	3/4	38,1	12,6	25	63	97
1.450-08-12	19	1/2	30,2	13,5	31	76	115
1.450-12-12	19	3/4	38,1	14,8	31	76	115
1.450-16-12	19	1	44,5	14,8	31	75	114
1.450-12-16	25	3/4	38,1	20,0	36	81	127

Order no.	DN in mm	flange in inch	C in mm	min. D in mm	E±3 in mm	B±3 in mm	L±3 in mm
1.450-16-16	25	1	44,5	26,1	32	82	128
1.450-20-16	25	1 1/4	50,8	21,1	34	81	127
1.450-16-20	31	1	44,5	26,5	45	116	170
1.450-20-20	31	1 1/4	50,8	26,5	44	104	158
1.450-24-20	31	1 1/2	60,3	26,5	45	106	160
1.450-20-24	38	1 1/4	50,8	32,5	43	111	168
1.450-24-24	38	1 1/2	60,3	32,8	53	112	169
1.450-32-24	38	2	71,4	32,8	48	115	172
1.450-24-32	51	1 1/2	60,3	34,5	52	130	205
1.450-32-32	51	2	71,4	44,5	52	130	205
1.450-40-32	51	2 1/2	84,1	44,5	52	130	205
1.450-32-36	60	2	71,4	49,0	55	161	241
1.450-40-36	60	2 1/2	84,1	52,0	54	160	240
1.450-48-36	60	3	101,6	52,0	54	161	241
1.450-32-40	63	2	71,4	51,0	55	119	199
1.450-40-40	63	2 1/2	84,1	52,0	53	148	228
1.450-40-48	76	2 1/2	84,1	64,0	53	147	222
1.450-48-48	76	3	101,6	68,0	52	149	224
1.450-56-48	76	3 1/2	114,3	68,0	70	166	241



## Pressure fittings SFL 90°

Updated at:  
24.05.2022

### Connection

SAE flange 3000PSI (L series)

### Standard

ISO 6162-1

### Application

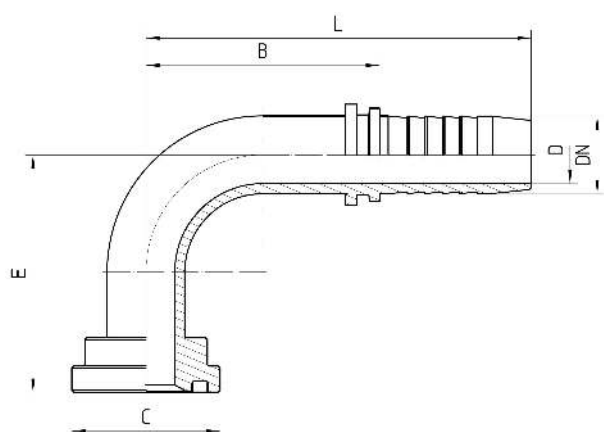
TE / SN / SC / SN-K / PTFE flexible tubes

### Material

Steel

### Surface protection

Zinc-electroplated



Order no.	DN in mm	flange in inch	C in mm	min. D in mm	E±3 in mm	B±3 in mm	L±3 in mm
1.470-08-08	12	1/2	30,2	10,0	39	42	73
1.470-12-08	12	3/4	38,1	10,0	39	42	73
1.470-08-10	16	1/2	30,2	12,6	49	53	87
1.470-12-10	16	3/4	38,1	12,6	49	53	87
1.470-08-12	19	1/2	30,2	13,5	61	61	100
1.470-12-12	19	3/4	38,1	14,8	61	62	101
1.470-16-12	19	1	44,5	14,8	61	62	101
1.470-12-16	25	3/4	38,1	20,0	68	68	114

Order no.	DN in mm	flange in inch	C in mm	min. D in mm	E±3 in mm	B±3 in mm	L±3 in mm
1.470-16-16	25	1	44,5	21,1	70	68	114
1.470-20-16	25	1 1/4	50,8	21,1	70	68	114
1.470-16-20	31	1	44,5	26,5	82	94	148
1.470-20-20	31	1 1/4	50,8	26,5	83	90	144
1.470-24-20	31	1 1/2	60,3	26,5	84	90	144
1.470-20-24	38	1 1/4	50,8	32,5	109	105	162
1.470-24-24	38	1 1/2	60,3	32,8	108	106	163
1.470-32-24	38	2	71,4	32,8	108	105	162
1.470-24-32	51	1 1/2	60,3	34,5	118	130	205
1.470-32-32	51	2	71,4	44,5	114	130	205
1.470-40-32	51	2 1/2	84,1	44,5	117	130	205
1.470-32-36	60	2	71,4	49,0	128	173	253
1.470-40-36	60	2 1/2	84,1	52,0	129	173	253
1.470-48-36	60	3	101,6	52,0	130	173	253
1.470-32-40	63	2	71,4	51,0	122	110	190
1.470-40-40	63	2 1/2	84,1	52,0	120	155	235
1.470-40-48	76	2 1/2	84,1	64,0	132	150	225
1.470-48-48	76	3	101,6	68,0	132	150	225
1.470-56-48	76	3 1/2	114,3	68,0	165	170	245

# Pressure fittings SFS straight

Updated at:  
24.05.2022

## Connection

SAE flange 6000PSI (S series)

## Standard

ISO 6162-2

## Application

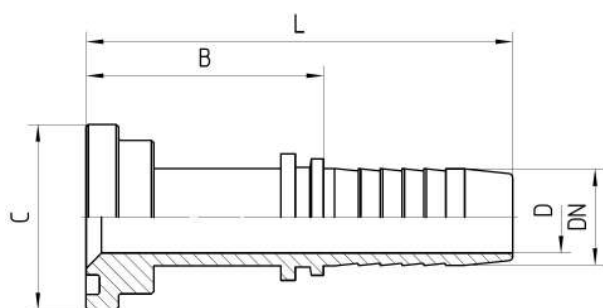
TE / SN / SC / SN-K / PTFE flexible tubes

## Material

Steel

## Surface protection

Zinc-electroplated



Order no.	DN in mm	flange in inch	C in mm	min. D in mm	B±3 in mm	L±3 in mm
1.421-08-08	12	1/2	31,7	10,0	46	77
1.421-12-08	12	3/4	41,3	10,0	47	78
1.421-08-10	16	1/2	31,7	12,6	46	80
1.421-12-10	16	3/4	41,3	12,6	44	78
1.421-08-12	19	1/2	31,7	14,0	54	92
1.421-12-12	19	3/4	41,3	14,8	52	91
1.421-16-12	19	1	47,6	14,8	53	92
1.421-12-16	25	3/4	41,3	20,0	55	101

Order no.	DN in mm	flange in inch	C in mm	min. D in mm	B±3 in mm	L±3 in mm
1.421-16-16	25	1	47,6	21,1	56	102
1.421-20-16	25	1 1/4	54,0	21,1	52	98
1.421-16-20	31	1	47,6	26,5	64	118
1.421-20-20	31	1 1/4	54,0	26,5	61	115
1.421-24-20	31	1 1/2	63,5	26,5	66	120
1.421-20-24	38	1 1/4	54,0	32,5	63	120
1.421-24-24	38	1 1/2	63,5	32,8	64	121
1.421-32-24	38	2	79,4	32,8	75	132
1.421-24-32	51	1 1/2	63,5	32,5	69	144
1.421-32-32	51	2	79,4	44,5	76	151

# Pressure fittings SFS 45°

Updated at:  
24.05.2022

## Connection

SAE flange 6000PSI (S series)

## Standard

ISO 6162-2

## Application

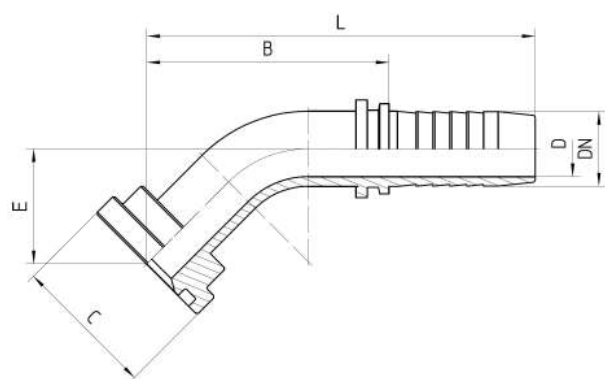
TE / SN / SC / SN-K / PTFE flexible tubes

## Material

Steel

## Surface protection

Zinc-electroplated



Order no.	DN in mm	flange in inch	C in mm	min. D in mm	E±3 in mm	B±3 in mm	L±3 in mm
1.451-08-08	12	1/2	31,7	10,0	24	49	80
1.451-12-08	12	3/4	41,3	10,0	23	51	82
1.451-08-10	16	1/2	31,7	12,6	29	62	96
1.451-12-10	16	3/4	41,3	12,6	27	63	97
1.451-08-12	19	1/2	31,7	14,0	32	76	115
1.451-12-12	19	3/4	41,3	14,8	33	74	113
1.451-16-12	19	1	47,6	14,8	33	75	114
1.451-12-16	25	3/4	41,3	20,0	34	75	121

Order no.	DN in mm	flange in inch	C in mm	min. D in mm	E±3 in mm	B±3 in mm	L±3 in mm
1.451-16-16	25	1	47,6	21,1	36	83	129
1.451-20-16	25	1 1/4	54,0	21,1	35	84	130
1.451-16-20	31	1	47,6	26,5	50	106	160
1.451-20-20	31	1 1/4	54,0	26,5	44	105	159
1.451-24-20	31	1 1/2	63,5	26,5	49	103	157
1.451-20-24	38	1 1/4	54,0	32,5	47	104	161
1.451-24-24	38	1 1/2	63,5	32,5	53	112	169
1.451-32-24	38	2	79,4	32,8	54	115	172
1.451-24-32	51	1 1/2	63,5	32,5	53	112	187
1.451-32-32	51	2	79,4	44,5	62	139	214

# Pressure fittings SFS 90°

Updated at:  
24.05.2022

## Connection

SAE flange 6000PSI (S series)

## Standard

ISO 6162-2

## Application

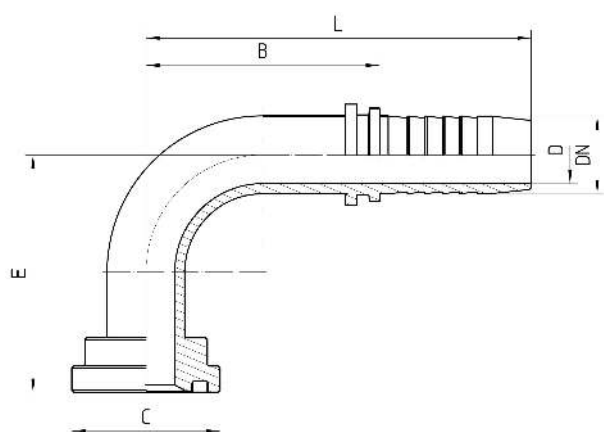
TE / SN / SC / SN-K / PTFE flexible tubes

## Material

Steel

## Surface protection

Zinc-electroplated



Order no.	DN in mm	flange in inch	C in mm	min. D in mm	E±3 in mm	B±3 in mm	L±3 in mm
1.471-08-08	12	1/2	31,7	10,0	41	42	73
1.471-12-08	12	3/4	41,3	10,0	42	40	71
1.471-08-10	16	1/2	31,7	12,6	50	53	87
1.471-12-10	16	3/4	41,3	12,6	52	52	86
1.471-08-12	19	1/2	31,7	14,0	64	60	99
1.471-12-12	19	3/4	41,3	14,8	62	60	99
1.471-16-12	19	1	47,6	14,8	65	60	99
1.471-12-16	25	3/4	41,3	20,0	72	68	114

Order no.	DN in mm	flange in inch	C in mm	min. D in mm	E±3 in mm	B±3 in mm	L±3 in mm
1.471-16-16	25	1	47,6	21,1	73	68	114
1.471-20-16	25	1 1/4	54,0	21,1	71	68	114
1.471-16-20	31	1	47,6	26,5	86	94	148
1.471-20-20	31	1 1/4	54,0	26,5	88	94	148
1.471-24-20	31	1 1/2	63,5	26,5	88	94	148
1.471-20-24	38	1 1/4	54,0	32,5	104	105	162
1.471-24-24	38	1 1/2	63,5	32,8	104	105	162
1.471-32-24	38	2	79,4	32,8	104	105	162
1.471-24-32	51	1 1/2	63,5	32,5	124	130	205
1.471-32-32	51	2	79,4	44,5	124	130	205



# Pressure fittings

## Hose coupling

Updated at:  
24.05.2022

### Connection

Flexible tube connectors

### Application

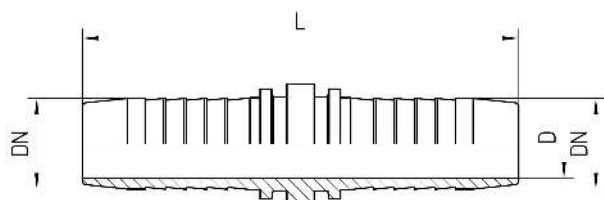
TE / SN / SC / SN-K / PTFE flexible tubes

### Material

Steel

### Surface protection

Zinc-electroplated



Order no.	DN in mm	min.D in mm	L±5 in mm
1.001-04-04	06	4,0	69
1.001-05-05	08	5,5	68
1.001-06-06	10	7,0	74
1.001-08-08	12	10,0	79
1.001-10-10	16	13,0	84
1.001-12-12	19	14,8	96
1.001-16-16	25	21,0	112
1.001-20-20	31	27,0	129
1.001-24-24	38	33,0	136
1.001-32-32	51	45,0	176

Order no.	DN in mm	min.D in mm	L±5 in mm
1.001-36-36	60	52,0	197
1.001-48-48	76	68,0	180

# Pressure fittings

## Banjo fitting metric

Updated at:  
24.05.2022

### Connection

Ring fitting for metric hollow screws (M)

### Standard

DIN 7642

### Application

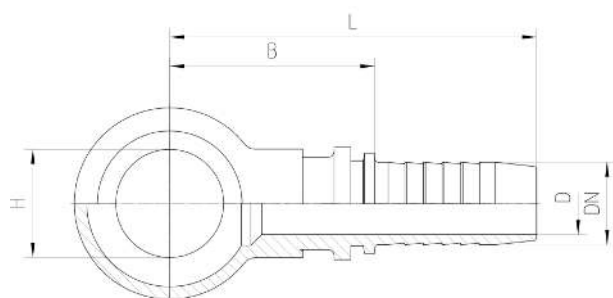
TE / SN / SC / SN-K / PTFE flexible tubes

### Material

Steel

### Surface protection

Zinc-electroplated



Order no.	DN in mm	resp. banjo bolt acc. to DIN 7643 H	H in mm	min. D in mm	B±3 in mm	L±3 in mm
1.090-10-04	06	M 10x1.0	10,2	3,5	30	57
1.090-12-04	06	M 12x1.5	12,2	4,0	32	59
1.090-14-04	06	M 14x1.5	14,2	4,0	33	61
1.090-10-05	08	M 10x1.0	10,2	4,0	29	57
1.090-12-05	08	M 12x1.5	12,2	5,5	31	59
1.090-14-05	08	M 14x1.5	14,2	5,5	33	61
1.090-16-05	08	M 16x1.5	16,2	5,5	35	63
1.090-12-06	10	M 12x1.5	12,2	5,5	31	61

Order no.	DN in mm	resp. banjo bolt acc. to DIN 7643 H	H in mm	min. D in mm	B±3 in mm	L±3 in mm
1.090-14-06	10	M 14x1.5	14,2	7,0	33	63
1.090-16-06	10	M 16x1.5	16,2	7,0	35	65
1.090-18-06	10	M 18x1.5	18,2	7,0	37	67
1.090-14-08	12	M 14x1.5	14,2	7,0	35	67
1.090-16-08	12	M 16x1.5	16,2	7,0	37	69
1.090-18-08	12	M 18x1.5	18,2	10,0	39	71
1.090-22-08	12	M 22x1.5	22,2	10,0	42	74
1.090-16-10	16	M 16x1.5	16,2	7,0	39	73
1.090-18-10	16	M 18x1.5	18,2	10,0	41	75
1.090-22-10	16	M 22x1.5	22,2	13,0	44	78
1.090-26-10	16	M 26x1.5	26,2	13,0	47	81
1.090-18-12	19	M 18x1.5	18,2	10,0	44	83
1.090-22-12	19	M 22x1.5	22,2	13,0	47	86
1.090-26-12	19	M 26x1.5	26,2	15,0	50	89
1.090-22-16	25	M 22x1.5	22,2	15,0	50	97
1.090-26-16	25	M 26x1.5	26,2	15,0	53	100
1.090-26-20	31	M 26x1.5	26,2	15,0	56	111
1.090-30-20	31	M 30x1.5	30,2	21,0	60	115

# Pressure fittings

## Banjo fitting by inches

Updated at:  
24.05.2022

### Connection

Ring fitting for BSP hollow screws (G)

### Standard

DIN 7642

### Application

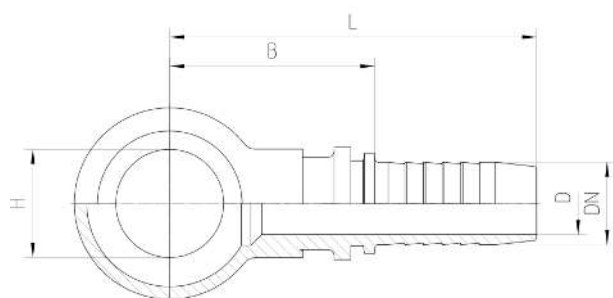
TE / SN / SC / SN-K / PTFE flexible tubes

### Material

Steel

### Surface protection

Zinc-electroplated



Order no.	DN in mm	matching banjo bolt H	H in mm	min.D in mm	B±3 in mm	L±3 in mm
1.091-1/8-04	06	G 1/8	10,2	3,5	30	57
1.091-1/4-04	06	G 1/4	14,2	4,0	33	61
1.091-1/8-05	08	G 1/8	10,2	4,0	29	57
1.091-1/4-05	08	G 1/4	14,2	5,5	33	61
1.091-3/8-05	08	G 3/8	16,8	5,5	35	63
1.091-1/4-06	10	G 1/4	14,2	7,0	33	63
1.091-3/8-06	10	G 3/8	16,8	7,0	35	65
1.091-1/4-08	12	G 1/4	14,2	7,0	35	67

Order no.	DN in mm	matching banjo bolt H	H in mm	min.D in mm	B±3 in mm	L±3 in mm
1.091-3/8-08	12	G 3/8	16,8	7,0	37	69
1.091-1/2-08	12	G 1/2	21,1	10,0	42	74
1.091-3/8-10	16	G 3/8	16,8	9,0	39	73
1.091-1/2-10	16	G 1/2	21,1	13,0	44	78
1.091-3/4-10	16	G 3/4	26,5	13,0	47	81
1.091-1/2-12	19	G 1/2	21,1	13,0	47	86
1.091-3/4-12	19	G 3/4	26,5	15,0	50	89
1.091-1/2-16	25	G 1/2	21,1	13,0	50	97
1.091-3/4-16	25	G 3/4	26,5	15,0	53	100
1.091-3/4-20	31	G 3/4	26,5	15,0	56	111
1.091-1/1-20	31	G 1	33,4	21,0	60	115

## Pressure fittings

# Wash cleaner female Wash cleaner female

Updated at:  
24.05.2022

### Connection

Washing machine nipple with metric nut

### Application

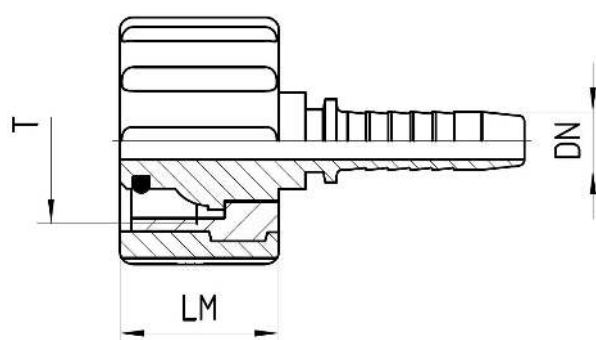
TE / SN / SC / SN-K / PTFE flexible tubes

### Material

Steel

### Surface protection

Zinc-electroplated



Order no.	DN in mm	T	LM in mm
1.021-04	06	M 22x1.5	19,5
1.021-04/M21x1.5	06	M 21x1.5	19,5
1.022-04	06	M 22x1.5	21,6
1.021-05	08	M 22x1.5	19,5
1.021-05/M21x1.5	08	M 21x1.5	19,5
1.022-05	08	M 22x1.5	21,6
1.021-06	10	M 22x1.5	19,5
1.021-06/M21x1.5	10	M 21x1.5	19,5

Order no.	DN in mm	T	LM in mm
1.022-06	10	M 22x1.5	21,6



# Pressure fittings

## Wash cleaner female for pistol application

Updated at:  
24.05.2022

### Connection

Washing mashing nipple for pistol installation

### Application

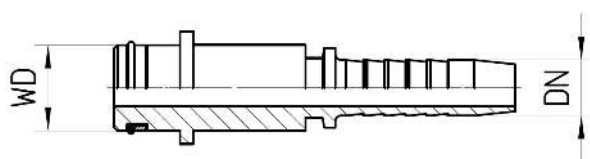
TE / SN / SC / SN-K / PTFE flexible tubes

### Material

Steel

### Surface protection

Zinc-electroplated



Order no.	DN in mm	WD in mm
1.023-04	06	10
1.023-05	08	10

## Pressure fittings

# Wash cleaner female with axial bearing for pistol application

Updated at:  
24.05.2022

### Connection

Washing machine nipple for pistol installation with axial bearing

### Application

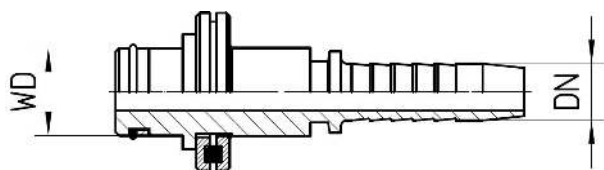
TE / SN / SC / SN-K / PTFE flexible tubes

### Material

Steel

### Surface protection

Zinc-electroplated



Order no.	DN in mm	WD in mm
1.024-04	06	11
1.024-05	08	11

# Pressure fittings

## Combi NO-SKIVE (101)

Updated at:  
24.05.2022

### Connection

Combination NO-SKIVE press holder for dH1000

### Application

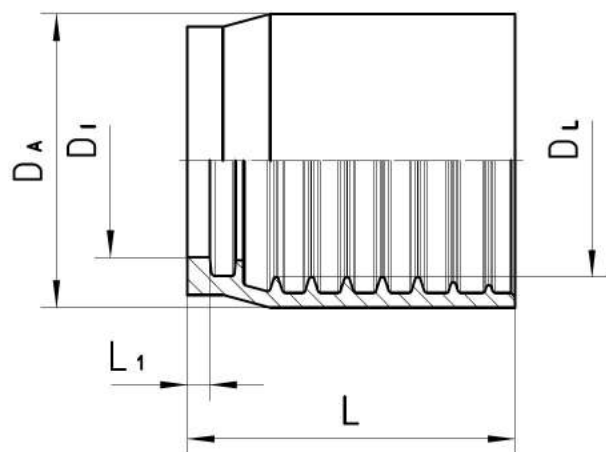
dH1000 SN / SC / SN-K flexible tubes

### Material

Steel

### Surface protection

Zinc-electroplated



Order no.	DN in mm	DA in mm	DI in mm	DL in mm	L in mm	L1 in mm	Note
101-04	06	22,0	11,3	15,5	30,0	2,4	*
101-05	08	24,0	13,0	17,5	30,0	2,4	*
101-06	10	27,0	14,5	19,6	32,0	2,4	*
101-08	12	30,0	19,0	22,9	34,0	2,5	**
101-10	16	34,0	21,5	26,1	37,0	2,5	**
101-12	19	38,0	24,8	30,1	42,5	2,9	**
101-16	25	48,0	30,7	39,0	51,0	3,8	*
101-20	31	60,0	38,5	49,7	53,0	3,9	*
101-24	38	67,0	44,0	56,0	57,0	4,2	*

Order no.	DN in mm	DA in mm	DI in mm	DL in mm	L in mm	L1 in mm	Note
101-32	51	81,0	57,0	68,8	72,0	5,0	*

**Note**

\* only for 1SN /2SN hoses acc. to DIN EN 853 and 2SC hoses acc. to DIN EN 857 \*\* for 1SN/2SN hoses acc. to DIN EN 853 and for 1SC/2SC hoses acc. to DIN EN 857

# Pressure fittings NO-SKIVE 1SC (101 1SC)

Updated at:  
24.05.2022

## Connection

NO-SKIVE 1SC press holder for dH1000

## Application

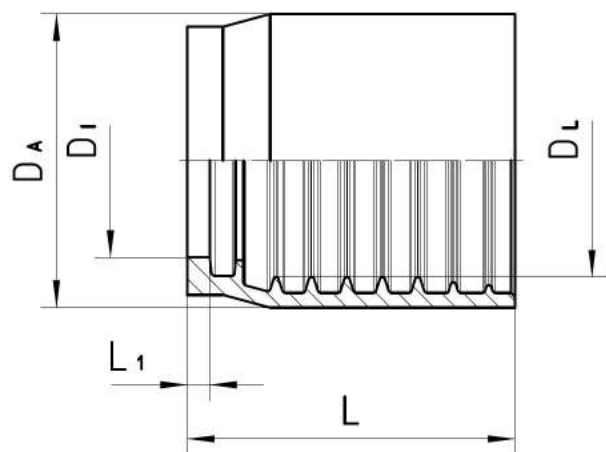
dH1000 1SC flexible tubes

## Material

Steel

## Surface protection

Zinc-electroplated



Order no.	DN in mm	DA in mm	DI in mm	DL in mm	L in mm	L1 in mm	Note
101-04-1SC	06	20,0	12,0	14,0	30,0	2,3	***
101-05-1SC	08	22,0	13,0	14,8	30,0	2,3	***
101-06-1SC	10	24,0	14,5	17,2	32,0	2,4	***
101-16-1SC	25	44,0	31,0	36,7	44,0	3,8	***

## Note

\*\*\* only for 1SC hoses acc. to 1SC DIN EN 857

# Pressure fittings

## Kombi SKIVE (100)

Updated at:  
24.05.2022

### Connection

Combination press holder SKIVE for dH1000

### Application

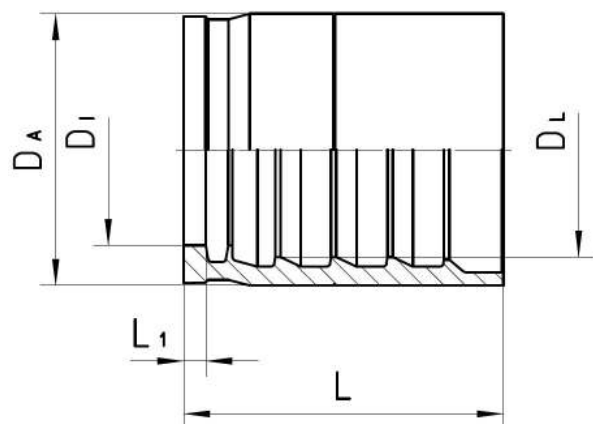
dH1000 SN / TE (NO-SKIVE) flexible tubes

### Material

Steel

### Surface protection

Zinc-electroplated



Order no.	DN in mm	DA in mm	DI in mm	DL in mm	L in mm	L1 in mm
100-04	06	19,0	11,5	13,5	29,0	2,5
100-05	08	21,0	13,3	15,5	29,0	2,4
100-06	10	23,0	14,5	17,5	31,5	2,5
100-08	12	27,0	18,8	21,0	34,0	2,6
100-10	16	32,0	22,0	24,5	37,0	2,6
100-12	19	36,0	25,4	28,5	42,5	2,95
100-16	25	44,0	31,3	36,0	49,0	3,7

# Pressure fittings SKIVE 1SN (110)

Updated at:  
24.05.2022

## Connection

SKIVE 1SN press holder for dH1000

## Application

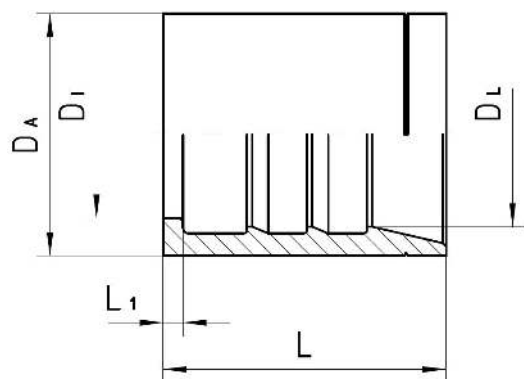
dH1000 1SN flexible tubes

## Material

Steel

## Surface protection

Zinc-electroplated



Order no.	DN in mm	DA in mm	DI in mm	DL in mm	L in mm	L1 in mm
110-20	31	50,0	37,6	42,4	59,0	3,8
110-24	38	58,0	45,0	49,0	63,0	3,8
110-32	51	72,4	57,2	61,3	78,5	3,8

## Pressure fittings SKIVE 2SN (120)

Updated at:  
24.05.2022

### Connection

SKIVE 1SN press holder for dH1000

### Application

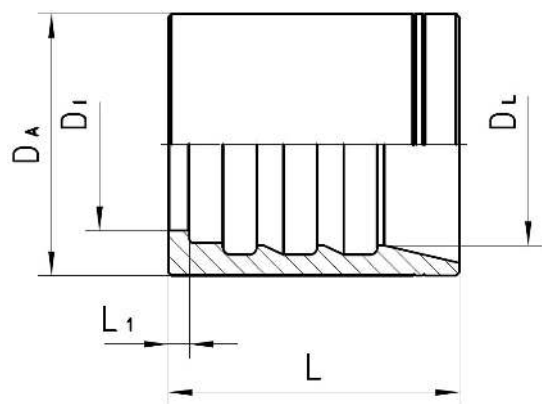
dH1000 2SN flexible tubes

### Material

Steel

### Surface protection

Zinc-electroplated



Order no.	DN in mm	DA in mm	DI in mm	DL in mm	L in mm	L1 in mm
120-20	31	55,0	37,6	45,2	59,0	3,8
120-24	38	62,0	44,2	51,8	62,8	3,8
120-32	51	75,0	57,2	64,5	78,5	3,8
120-36	60	85,0	69,4	75,0	75,0	4,5
120-48	76	105,0	82,0	90,0	80,0	4,7



## Pressure fittings Kombi PTFE (FR272)

Updated at:  
24.05.2022

### Connection

Combination press holder PTFE, smooth and corrugated for dH1000

### Application

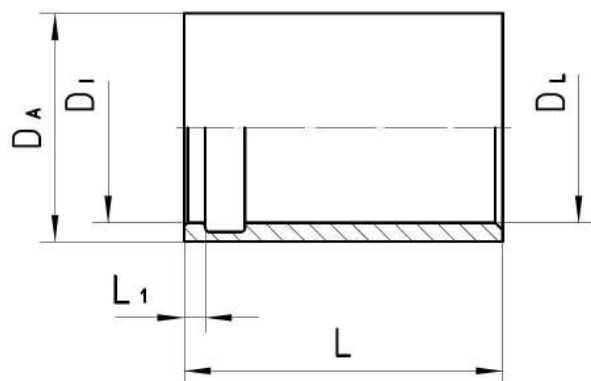
dH1000 R115 / R272 flexible tubes

### Material

Steel

### Surface protection

Zinc-electroplated



Order no.	DN in mm	DA in mm	DI in mm	DL in mm	L in mm	L1 in mm
FR272-04	06	15,0	11,4	11,3	28,0	2,0
FR272-05	08	19,0	14,2	15,4	32,0	2,0
FR272-06	10	19,0	14,2	15,4	32,0	2,0
FR272-08	12	25,0	18,5	20,5	32,0	2,0
FR272-10	16	30,0	23,0	25,0	36,0	2,3
FR272-12	19	33,0	26,0	28,0	38,5	2,0
FR272-16	25	42,0	35,0	37,0	47,0	2,5
FR272-20	31	47,5	42,0	43,0	54,0	3,0
FR272-24	40	55,0	47,5	49,8	65,0	3,0
FR272-32	51	68,5	62,0	63,0	75,0	2,5

# Pressure fittings DKOL straight

Updated at:  
24.05.2022

## Connection

Sealing head 24° outside cone O-ring sealing with metric nut L series

## Standard

ISO 8434-1

## Application

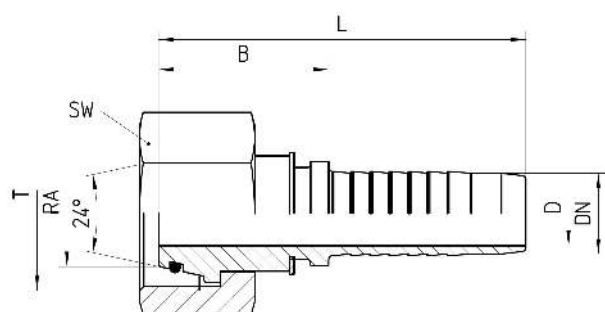
3SPC / 4SP hoses / 4SH19 / 4SH25

## Material

Steel

## Surface protection

Zinc-electroplated



Order no.	DN in mm	RA	T	SW in mm	min. D in mm	B±3 in mm	L±3 in mm
4.051-03-04	06	6L	M 12x1.5	14	2,8	26	60
4.051-04-04	06	8L	M 14x1.5	17	4,0	28	62
4.051-05-04	06	10L	M 16x1.5	19	4,0	30	64
4.051-05-06	10	10L	M 16x1.5	19	5,5	30	64
4.051-06-06	10	12L	M 18x1.5	22	7,0	25	59
4.051-08-06	10	15L	M 22x1.5	27	7,0	29	63
4.051-06-08	12	12L	M 18x1.5	22	7,5	34	72
4.051-08-08	12	15L	M 22x1.5	27	9,0	26	64

Order no.	DN in mm	RA	T	SW in mm	min. D in mm	B±3 in mm	L±3 in mm
4.051-10-08	12	18L	M 26x1.5	32	9,0	34	72
4.051-08-10	16	15L	M 22x1.5	27	10,0	33	75
4.051-10-10	16	18L	M 26x1.5	32	12,0	31	73
4.051-12-10	16	22L	M 30x2.0	36	12,0	32	74
4.051-10-12	19	18L	M 26x1.5	32	12,0	34	80
4.051-12-12	19	22L	M 30x2.0	36	14,8	37	83
4.051-16-12	19	28L	M 36x2.0	41	14,8	37	83
4.051-12-16	25	22L	M 30x2.0	36	14,0	42	97
4.051-16-16	25	28L	M 36x2.0	41	19,9	41	96
4.051-20-16	25	35L	M 45x2.0	50	19,9	43	98

## Pressure fittings DKOL 45°

Updated at:  
24.05.2022

### Connection

Sealing head 24° outside cone O-ring sealing with metric nut L series

### Standard

ISO 8434-1

### Application

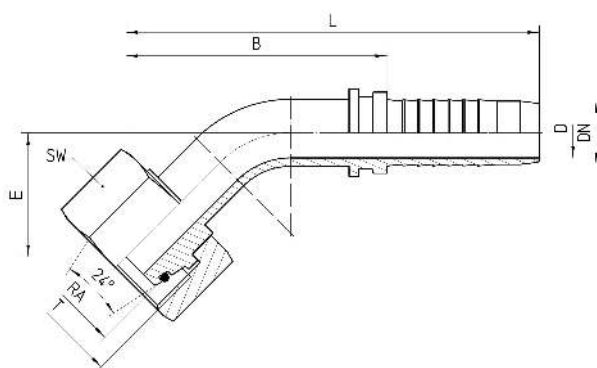
3SPC / 4SP hoses / 4SH19 / 4SH25

### Material

Steel

### Surface protection

Zinc-electroplated



Order no.	DN in mm	RA	T	SW in mm	min. D in mm	E±3 in mm	B±3 in mm	L±3 in mm
4.055-03-04	06	6L	M 12x1.5	14	2,8	17	37	71
4.055-04-04	06	8L	M 14x1.5	17	4,0	17	37	71
4.055-05-04	06	10L	M 16x1.5	19	4,0	18	38	72
4.055-05-06	10	10L	M 16x1.5	19	5,5	21	42	76
4.055-06-06	10	12L	M 18x1.5	22	7,0	20	42	76
4.055-08-06	10	15L	M 22x1.5	27	7,0	20	41	75
4.055-06-08	12	12L	M 18x1.5	22	7,5	24	52	90
4.055-08-08	12	15L	M 22x1.5	27	9,0	24	53	91

Order no.	DN in mm	RA	T	SW in mm	min. D in mm	E±3 in mm	B±3 in mm	L±3 in mm
4.055-10-08	12	18L	M 26x1.5	32	9,0	25	51	89
4.055-08-10	16	15L	M 22x1.5	27	8,8	30	67	109
4.055-10-10	16	18L	M 26x1.5	32	12,0	27	66	108
4.055-12-10	16	22L	M 30x2.0	36	12,0	29	66	108
4.055-10-12	19	18L	M 26x1.5	32	11,5	33	74	120
4.055-12-12	19	22L	M 30x2.0	36	14,8	32	76	122
4.055-16-12	19	28L	M 36x2.0	41	14,8	32	74	120
4.055-12-16	25	22L	M 30x2.0	36	13,8	36	84	139
4.055-16-16	25	28L	M 36x2.0	41	19,9	37	86	141
4.055-20-16	25	35L	M 45x2.0	50	19,9	39	86	141

# Pressure fittings DKOL 90°

Updated at:  
24.05.2022

## Connection

Sealing head 24° outside cone O-ring sealing with metric nut L series

## Standard

ISO 8434-1

## Application

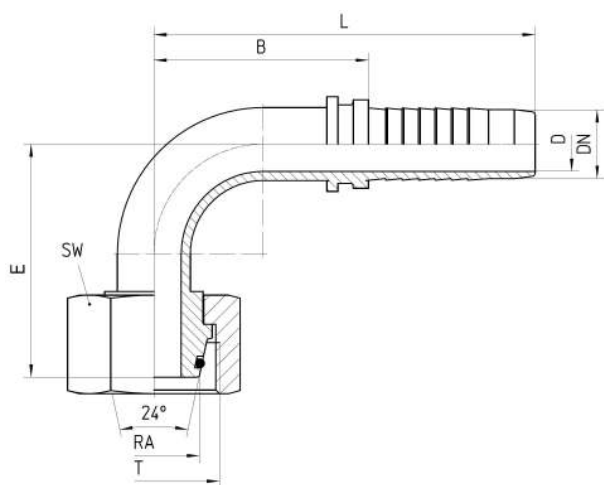
3SPC / 4SP hoses / 4SH19 / 4SH25

## Material

Steel

## Surface protection

Zinc-electroplated



Order no.	DN in mm	RA	T	SW in mm	min. D in mm	E±3 in mm	B±3 in mm	L±3 in mm
4.059-03-04	06	6L	M 12x1.5	14	2,8	29	27	61
4.059-04-04	06	8L	M14 x1.5	17	4,0	31	27	61
4.059-05-04	06	10L	M 16x1.5	19	4,0	33	27	61
4.059-05-06	10	10L	M 16x1.5	19	5,5	35	31	65
4.059-06-06	10	12L	M 18x1.5	22	7,0	35	31	65
4.059-08-06	10	15L	M 22x1.5	27	7,0	33	31	65
4.059-06-08	12	12L	M 18x1.5	22	7,5	46	42	80

Order no.	DN in mm	RA	T	SW in mm	min. D in mm	E±3 in mm	B±3 in mm	L±3 in mm
4.059-08-08	12	15L	M 22x1.5	27	9,0	44	42	80
4.059-10-08	12	18L	M 26x1.5	32	9,0	46	42	80
4.059-08-10	16	15L	M 22x1.5	27	8,8	56	53	95
4.059-10-10	16	18L	M 26x1.5	32	12,0	55	53	95
4.059-12-10	16	22L	M 30x2.0	36	12,0	56	51	93
4.059-10-12	19	18L	M 26x1.5	32	11,5	61	60	106
4.059-12-12	19	22L	M 30x2.0	36	14,8	64	60	106
4.059-16-12	19	28L	M 36x2.0	41	14,8	62	59	105
4.059-12-16	25	22L	M 30x2.0	36	13,8	74	65	120
4.059-16-16	25	28L	M 36x2.0	41	19,9	75	63	118
4.059-20-16	25	35L	M 45x2.0	50	19,9	74	65	120

# Pressure fittings DKOS straight

Updated at:  
24.05.2022

## Connection

Sealing head 24° outside cone O-ring sealing with metric nut S series

## Standard

ISO 8434-1

## Application

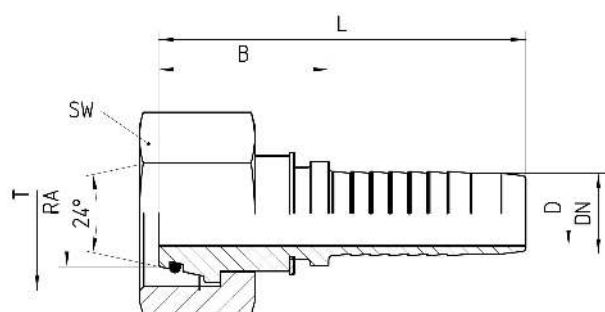
3SPC / 4SP hoses / 4SH19 / 4SH25

## Material

Steel

## Surface protection

Zinc-electroplated



Order no.	DN in mm	RA	T	SW in mm	min. D in mm	B±3 in mm	L±3 in mm	Note
4.081-03-04	06	8S	M 16x1.5	19	4,0	29	62	
4.081-04-04	06	10S	M 18x1.5	22	4,0	30	64	
4.081-05-04	06	12S	M 20x1.5	24	4,0	29	63	
4.081-05-06	10	12S	M 20x1.5	24	7,0	29	63	
4.081-06-06	10	14S	M 22x1.5	27	7,0	30	65	
4.081-08-06	10	16S	M 24x1.5	30	7,0	30	64	
4.081-06-08	12	14S	M 22x1.5	27	7,0	35	73	
4.081-08-08	12	16S	M 24x1.5	30	9,0	30	68	



Order no.	DN in mm	RA	T	SW in mm	min. D in mm	B±3 in mm	L±3 in mm	Note
4.081-10-08	12	20S	M 30x2.0	36	9,0	36	74	
4.081-08-10	16	16S	M 24x1.5	30	10,0	34	76	
4.081-10-10	16	20S	M 30x2.0	36	12,0	36	78	
4.081-12-10/ SW41	16	25S	M 36x2.0	41	12,0	36	78	a
4.081-12-10/ SW46	16	25S	M 36x2.0	46	12,0	36	78	
4.081-10-12	19	20S	M 30x2.0	36	13,0	37	83	
4.081-12-12/ SW41	19	25S	M 36x2.0	41	15,0	40	86	a
4.081-12-12/ SW46	19	25S	M 36x2.0	46	15,0	40	86	
4.081-16-12	19	30S	M 42x2.0	50	14,8	39	85	
4.081-12-16/ SW46	25	25S	M 36x2.0	46	15,0	43	98	
4.081-16-16	25	30S	M 42x2.0	50	21,0	45	101	
4.081-20-16	25	38S	M 52x2.0	60	21,1	44	99	

**Note**

a) not according to ISO 8434-1

# Pressure fittings DKOS 45°

Updated at:  
24.05.2022

## Connection

Sealing head 24° outside cone O-ring sealing with metric nut S series

## Standard

ISO 8434-1

## Application

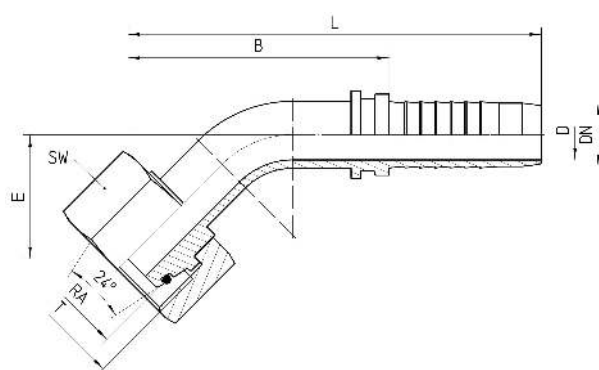
3SPC / 4SP hoses / 4SH19 / 4SH25

## Material

Steel

## Surface protection

Zinc-electroplated



Order no.	DN in mm	RA	T	SW in mm	min. D in mm	E±3 in mm	B±3 in mm	L±3 in mm	Note
4.085-03-04	06	8S	M 16x1.5	19	4,0	18	38	72	
4.085-04-04	06	10S	M 18x1.5	22	4,0	19	39	73	
4.085-05-04	06	12S	M 20x1.5	24	4,0	18	38	72	
4.085-05-06	10	12S	M 20x1.5	24	7,0	20	41	75	
4.085-06-06	10	14S	M 22x1.5	27	7,0	21	42	76	
4.085-08-06	10	16S	M 24x1.5	30	7,0	20	41	75	
4.085-06-08	12	14S	M 22x1.5	27	7,0	26	53	91	
4.085-08-08	12	16S	M 24x1.5	30	9,0	25	53	91	

Order no.	DN in mm	RA	T	SW in mm	min. D in mm	E±3 in mm	B±3 in mm	L±3 in mm	Note
4.085-10-08	12	20S	M 30x2.0	36	9,0	27	55	93	
4.085-08-10	16	16S	M 24x1.5	30	10,0	32	68	110	
4.085-10-10	16	20S	M 30x2.0	36	12,0	29	70	112	
4.085-12-10/ SW41	16	25S	M 36x2.0	41	12,0	32	69	111	a
4.085-12-10/ SW46	16	25S	M 36x2.0	46	12,0	32	69	111	
4.085-10-12	19	20S	M 30x2.0	36	13,0	34	76	122	
4.085-12-12/ SW41	19	25S	M 36x2.0	41	14,8	36	77	123	a
4.085-12-12/ SW46	19	25S	M 36x2.0	46	14,8	36	77	123	
4.085-16-12	19	30S	M 42x2.0	50	14,8	35	72	118	
4.085-12-16/ SW46	25	25S	M 36x2.0	46	13,5	40	87	142	
4.085-16-16	25	30S	M 42x2.0	50	19,9	42	89	144	
4.085-20-16	25	38S	M 52x2.0	60	19,9	36	84	139	

**Note**

a) not according to ISO 8434-1

# Pressure fittings DKOS 90°

Updated at:  
24.05.2022

## Connection

Sealing head 24° outside cone O-ring sealing with metric nut S series

## Standard

ISO 8434-1

## Application

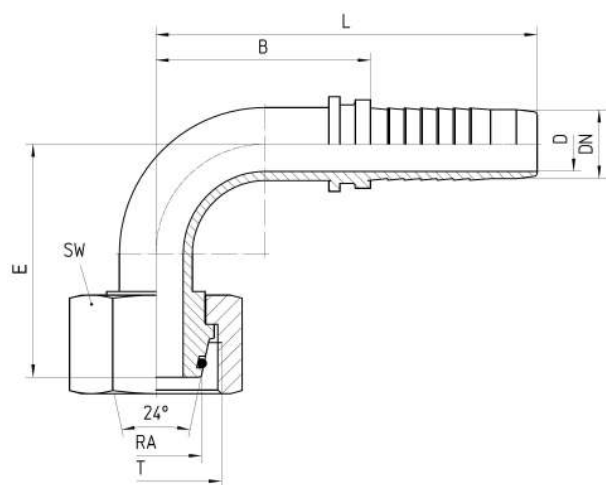
3SPC / 4SP hoses / 4SH19 / 4SH25

## Material

Steel

## Surface protection

Zinc-electroplated



Order no.	DN in mm	RA	T	SW in mm	min. D in mm	E±3 in mm	B±3 in mm	L±3 in mm	Note
4.089-03-04	06	8S	M 16x1.5	19	4,0	33	27	61	
4.089-04-04	06	10S	M 18x1.5	22	4,0	33	27	61	
4.089-05-04	06	12S	M 20x1.5	24	4,0	32	27	61	
4.089-05-06	10	12S	M 20x1.5	24	7,0	35	31	65	
4.089-06-06	10	14S	M 22x1.5	27	7,0	36	31	65	
4.089-08-06	10	16S	M 24x1.5	30	7,0	36	31	65	
4.089-06-08	12	14S	M 22x1.5	27	7,0	45	43	81	

Order no.	DN in mm	RA	T	SW in mm	min. D in mm	E±3 in mm	B±3 in mm	L±3 in mm	Note
4.089-08-08	12	16S	M 24x1.5	30	9,0	46	42	80	
4.089-10-08	12	20S	M 30x2.0	36	9,0	47	43	81	
4.089-08-10	16	16S	M 24x1.5	30	10,0	56	52	94	
4.089-10-10	16	20S	M 30x2.0	36	12,0	57	53	95	
4.089-12-10/ SW41	16	25S	M 36x2.0	41	12,0	59	51	93	a
4.089-12-10/ SW46	16	25S	M 36x2.0	46	12,0	59	51	93	
4.089-10-12	19	20S	M 30x2.0	36	13,0	65	58	104	
4.089-12-12/ SW41	19	25S	M 36x2.0	41	14,8	65	60	106	a
4.089-12-12/ SW46	19	25S	M 36x2.0	46	14,8	65	60	106	
4.089-16-12	19	30S	M 42x2.0	50	14,8	65	60	106	
4.089-12-16/ SW46	25	25S	M 36x2.0	46	13,5	78	65	120	
4.089-16-16	25	30S	M 42x2.0	50	19,9	76	67	122	
4.089-20-16	25	38S	M 52x2.0	60	19,9	76	65	120	

**Note**

a) not according to ISO 8434-1

# Pressure fittings SFL straight

Updated at:  
24.05.2022

## Connection

SAE-flange 3000PSI (L series)

## Standard

ISO 6162-1

## Application

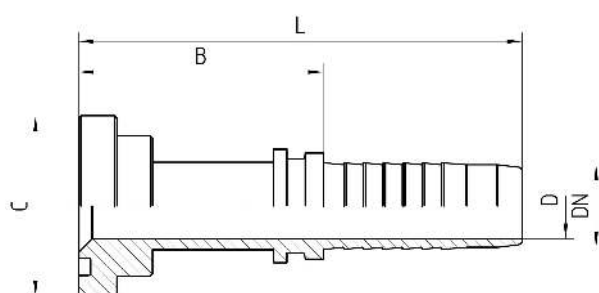
3SPC / 4SP hoses / 4SH19 / 4SH25

## Material

Steel

## Surface protection

Zinc-electroplated



Order no.	DN in mm	flange	C in mm	min. D in mm	B±3 in mm	L±3 in mm
4.420-08-08	12	1/2	30,2	9,0	51	89
4.420-12-08	12	3/4	38,1	9,0	52	90
4.420-08-10	16	1/2	30,2	12,0	52	94
4.420-12-10	16	3/4	38,1	12,0	49	91
4.420-08-12	19	1/2	30,2	13,5	55	101
4.420-12-12	19	3/4	38,1	14,8	57	103
4.420-16-12	19	1	44,5	14,8	57	103
4.420-12-16	25	3/4	38,1	19,9	55	110
4.420-16-16	25	1	44,5	19,9	56	111

Order no.	DN in mm	flange	C in mm	min. D in mm	B±3 in mm	L±3 in mm
4.420-20-16	25	1 1/4	50,8	19,9	56	111

# Pressure fittings SFL 45°

Updated at:  
24.05.2022

## Connection

SAE-flange 3000PSI (L series)

## Standard

ISO 6162-1

## Application

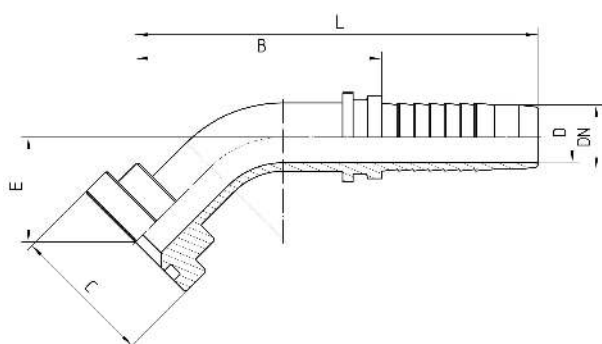
3SPC / 4SP hoses / 4SH19 / 4SH25

## Material

Steel

## Surface protection

Zinc-electroplated



Order no.	DN in mm	flange in inch	C in mm	min. D in mm	E±3 in mm	B±3 in mm	L±3 in mm
4.450-08-08	12	1/2	30,2	9,0	23	44	89
4.450-12-08	12	3/4	38,1	9,0	23	45	87
4.450-08-10	16	1/2	30,2	12,0	27	66	108
4.450-12-10	16	3/4	38,1	12,0	28	66	108
4.450-08-12	19	1/2	30,2	13,5	29	74	120
4.450-12-12	19	3/4	38,1	14,8	33	74	120
4.450-16-12	19	1	44,5	14,8	31	73	119
4.450-12-16	25	3/4	38,1	19,9	32	76	131



Order no.	DN in mm	flange in inch	C in mm	min. D in mm	E±3 in mm	B±3 in mm	L±3 in mm
4.450-16-16	25	1	44,5	19,9	32	82	137
4.450-20-16	25	1 1/4	50,8	19,9	31	72	127

## Pressure fittings SFL 90°

Updated at:  
24.05.2022

### Connection

SAE-flange 3000PSI (L series)

### Standard

ISO 6162-1

### Application

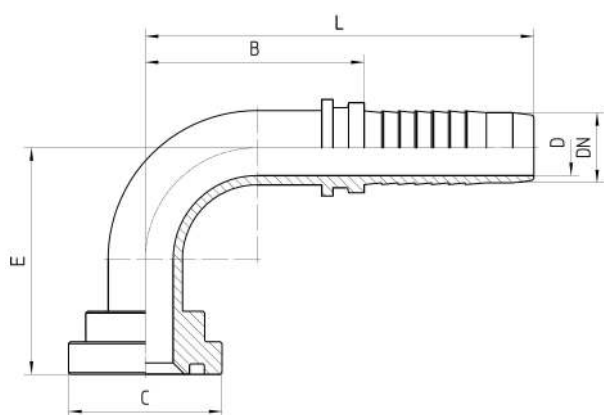
3SPC / 4SP hoses / 4SH19 / 4SH25

### Material

Steel

### Surface protection

Zinc-electroplated



Order no.	DN in mm	flange in inch	C in mm	min. D in mm	E±3 in mm	B±3 in mm	L±3 in mm
4.470-08-08	12	1/2	30,2	9,0	42	42	80
4.470-12-08	12	3/4	38,1	9,0	41	42	80
4.470-08-10	16	1/2	30,2	12,0	54	52	94
4.470-12-10	16	3/4	38,1	12,0	54	52	94
4.470-08-12	19	1/2	30,2	13,5	60	60	106
4.470-12-12	19	3/4	38,1	14,8	58	60	106
4.470-16-12	19	1	44,5	14,8	60	61	107
4.470-12-16	25	3/4	38,1	19,9	69	65	120

Order no.	DN in mm	flange in inch	C in mm	min. D in mm	E±3 in mm	B±3 in mm	L±3 in mm
4.470-16-16	25	1	44,5	19,9	69	65	120
4.470-20-16	25	1 1/4	50,8	19,9	69	65	120

# Pressure fittings SFS straight

Updated at:  
24.05.2022

## Connection

SAE flange 6000PSI (S series)

## Standard

ISO 6162-2

## Application

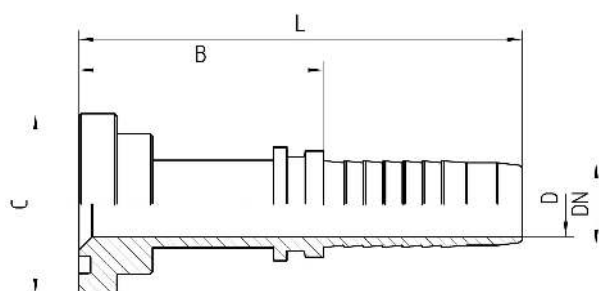
3SPC / 4SP hoses / 4SH19 / 4SH25

## Material

Steel

## Surface protection

Zinc-electroplated



Order no.	DN in mm	flange in inch	C in mm	min. D in mm	B±3 in mm	L±3 in mm
4.421-08-08	12	1/2	31,7	9,0	53	91
4.421-12-08	12	3/4	41,3	9,0	53	91
4.421-08-10	16	1/2	31,7	12,0	53	95
4.421-12-10	16	3/4	41,3	12,0	50	92
4.421-08-12	19	1/2	31,7	14,0	56	102
4.421-12-12	19	3/4	41,3	14,8	58	104
4.421-16-12	19	1	47,6	14,8	58	104
4.421-12-16	25	3/4	41,3	19,9	57	112
4.421-16-16	25	1	47,6	19,9	57	112

Order no.	DN in mm	flange in inch	C in mm	min. D in mm	B±3 in mm	L±3 in mm
4.421-20-16	25	1 1/4	54,0	19,9	58	113

## Pressure fittings SFS 45°

Updated at:  
24.05.2022

### Connection

SAE flange 6000PSI (S series)

### Standard

ISO 6162-2

### Application

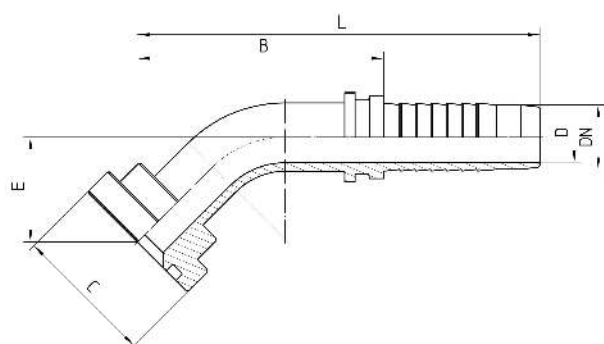
3SPC / 4SP hoses / 4SH19 / 4SH25

### Material

Steel

### Surface protection

Zinc-electroplated



Order no.	DN in mm	flange in inch	C in mm	min. D in mm	E±3 in mm	B±3 in mm	L±3 in mm
4.451-08-08	12	1/2	31,7	9,0	22	50	88
4.451-12-08	12	3/4	41,3	9,0	22	50	88
4.451-08-10	16	1/2	31,7	12,0	28	67	109
4.451-12-10	16	3/4	41,3	12,0	29	64	106
4.451-08-12	19	1/2	31,7	14,0	31	74	120
4.451-12-12	19	3/4	41,3	14,8	32	73	119
4.451-16-12	19	1	47,6	14,8	32	73	119
4.451-12-16	25	3/4	41,3	19,9	36	87	142

Order no.	DN in mm	flange in inch	C in mm	min. D in mm	E±3 in mm	B±3 in mm	L±3 in mm
4.451-16-16	25	1	47,6	19,9	37	84	139
4.451-20-16	25	1 1/4	54,0	19,9	34	85	140

# Pressure fittings SFS 90°

Updated at:  
24.05.2022

## Connection

SAE flange 6000PSI (S series)

## Standard

ISO 6162-2

## Application

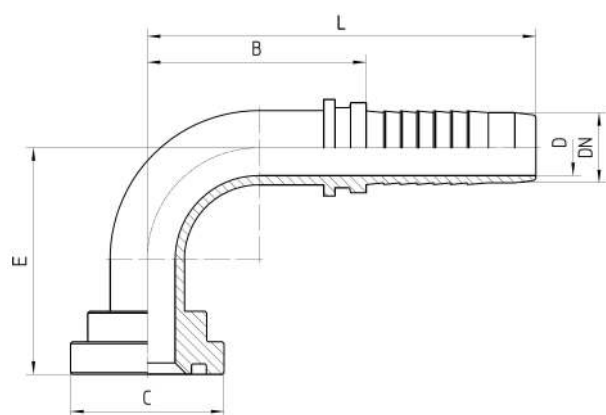
3SPC / 4SP hoses / 4SH19 / 4SH25

## Material

Steel

## Surface protection

Zinc-electroplated



Order no.	DN in mm	flange in inch	C in mm	min. D in mm	E±3 in mm	B±3 in mm	L±3 in mm
4.471-08-08	12	1/2	31,7	9,0	44	39	77
4.471-12-08	12	3/4	41,3	9,0	42	39	79
4.471-08-10	16	1/2	31,7	12,0	55	52	94
4.471-12-10	16	3/4	41,3	12,0	55	52	94
4.471-08-12	19	1/2	31,7	14,0	61	60	106
4.471-12-12	19	3/4	41,3	14,8	60	60	106
4.471-16-12	19	1	47,6	14,8	60	60	106
4.471-12-16	25	3/4	41,3	19,9	72	65	120



Order no.	DN in mm	flange in inch	C in mm	min. D in mm	E±3 in mm	B±3 in mm	L±3 in mm
4.471-16-16	25	1	47,6	19,9	72	65	120
4.471-20-16	25	1 1/4	54,0	19,9	71	65	120

## Pressure fittings 4SP SKIVE (440)

Updated at:  
24.05.2022

### Application

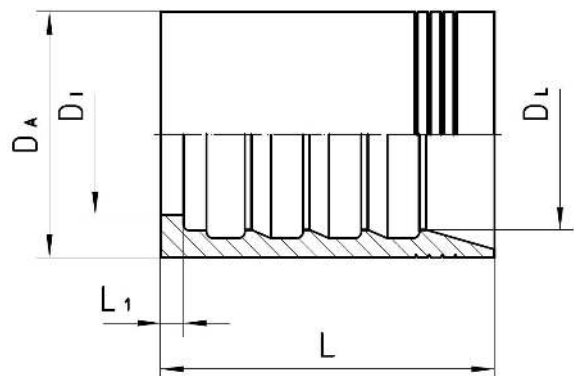
SKIVE 4SP press holder for dH4000 4SP / 3 SPC hoses / 4SH19 / 4SH25

### Material

Steel

### Surface protection

Zinc-electroplated



Order no.	DN in mm	DA in mm	DI in mm	DL in mm	L in mm	L1 in mm
440-04	06	21,7	11,5	15,5	37,0	3,0
440-06	10	25,5	14,6	18,1	38,9	3,0
440-08	12	28,5	17,5	21,1	41,2	3,0
440-10	16	33,0	21,0	25,0	44,0	3,0
440-12	19	37,5	24,5	29,0	51,1	3,5
440-16	25	46,0	31,0	36,3	61,7	4,2

# Pressure fittings DKOS straight

Updated at:  
11.01.2023

## Connection

Sealing head 24° outside cone O-ring sealing with metric nut S series

## Standard

ISO 8434-1

## Application

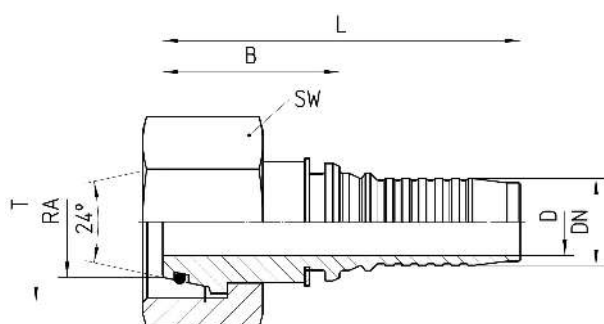
4SH flexible tubes

## Material

Steel

## Surface protection

Zinc-electroplated



Order no.	DN in mm	RA	T	SW in mm	min. D in mm	B±3 in mm	L±3 in mm	Note
5.081-10-12	19	20S	M 30x2.0	36	13,0	38	79	
5.081-12-12/ SW41	19	25S	M 36x2.0	41	15,0	39	80	a
5.081-12-12/ SW46	19	25S	M 36x2.0	46	15,0	39	80	
5.081-16-12	19	30S	M 42x2.0	50	14,8	41	81	
5.081-12-16/ SW46	25	25S	M 36x2.0	46	15,0	42	92	b
5.081-16-16	25	30S	M 42x2.0	50	20,0	40	94	b
5.081-20-16	25	38S	M 52x2.0	60	20,0	37	89	b

Order no.	DN in mm	RA	T	SW in mm	min. D in mm	B±3 in mm	L±3 in mm	Note
5.081-16-20	31	30S	M 42x2.0	50	20,0	36	105	
5.081-20-20	31	38S	M 52x2.0	60	26,5	41	110	
5.081-20-24	38	38S	M 52x2.0	60	25,0	39	108	

**Note**

a) not according to ISO 8434-1, b) changed outline to improve the safety, therefore measurements differ from standard systems

**Accessories**

O-ring DKOL/DKOS

# Pressure fittings DKOS 45°

Updated at:  
24.05.2022

## Connection

Sealing head 24° outside cone O-ring sealing with metric nut S series

## Standard

ISO 8434-1

## Application

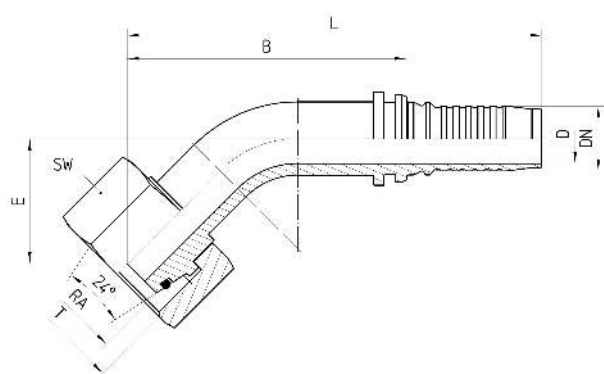
4SH flexible tubes

## Material

Steel

## Surface protection

Zinc-electroplated



Order no.	DN in mm	RA	T	SW in mm	min. D in mm	E±3 in mm	B±3 in mm	L±3 in mm	Note
5.085-10-12	19	20S	M 30x2,0	36	13,0	37	81	122	
5.085-12-12/ SW46	19	25S	M 36x2,0	46	14,8	36	84	125	
5.085-16-12	19	30S	M 42x2,0	50	14,8	34	77	118	
5.085-12-16/ SW46	25	25S	M 36x2,0	46	15,0	40	97	149	*
5.085-16-16	25	30S	M 42x2,0	50	20,0	41	96	148	*
5.085-20-16	25	38S	M 52x2,0	60	20,0	40	97	149	*

Order no.	DN in mm	RA	T	SW in mm	min. D in mm	E±3 in mm	B±3 in mm	L±3 in mm	Note
5.085-16-20	31	30S	M 42x2,0	50	20,0	58	126	195	
5.085-20-20	31	38S	M 52x2,0	60	25,0	58	126	195	
5.085-20-24	38	38S	M 52x2,0	60	25,0	55	126	195	

**Note**

\* changed outline to improve the safety, therefore measurements differ from standard systems

**Accessories**

O-ring DKOL/DKOS

# Pressure fittings DKOS 90°

Updated at:  
11.01.2023

## Connection

Sealing head 24° outside cone O-ring sealing with metric nut S series

## Standard

ISO 8434-1

## Application

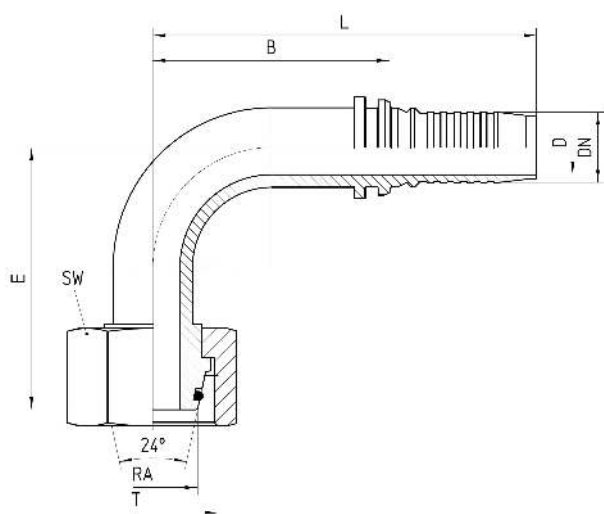
4SH flexible tubes

## Material

Steel

## Surface protection

Zinc-electroplated



Order no.	DN in mm	RA	T	SW in mm	min. D in mm	E±3 in mm	B±3 in mm	L±3 in mm	Note
5.089-10-12	19	20S	M 30x2,0	36	13,0	68	60	101	
5.089-12-12/ SW46	19	25S	M 36x2,0	46	14,8	70	60	101	
5.089-16-12	19	30S	M 42x2,0	50	14,8	67	60	101	
5.089-12-16/ SW46	25	25S	M 36x2,0	46	15,0	76	81	133	*
5.089-16-16	25	30S	M 42x2,0	50	20,0	80	82	131	*
5.089-20-16	25	38S	M 52x2,0	60	20,0	75	81	133	*

Order no.	DN in mm	RA	T	SW in mm	min. D in mm	E±3 in mm	B±3 in mm	L±3 in mm	Note
5.089-16-20	31	30S	M 42x2,0	50	20,0	108	102	171	
5.089-20-20	31	38S	M 52x2,0	60	25,0	108	102	171	
5.089-20-24	38	38S	M 52x2,0	60	25,0	108	121	190	

**Note**

\* changed outline to improve the safety, therefore measurements differ from standard systems

**Accessories**

O-ring DKOL/DKOS



# Pressure fittings SFL Straight

Updated at:  
24.05.2022

## Connection

SAE flange 3000PSI (L series)

## Standard

ISO 6162-1

## Application

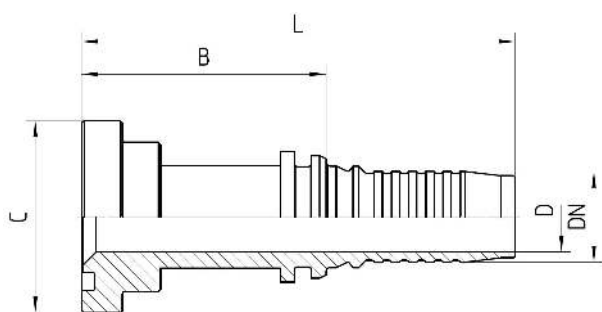
4SH flexible tubes

## Material

Steel

## Surface protection

Zinc-electroplated



Order no.	DN in mm	flange in inch	C in mm	min. D in mm	B±3 in mm	L±3 in mm	Note
5.420-08-12	19	1/2	30,2	13,5	51	92	
5.420-12-12	19	3/4	38,1	14,8	52	93	
5.420-16-12	19	1	44,5	14,8	52	93	
5.420-12-16	25	3/4	38,1	20,0	56	108	*
5.420-16-16	25	1	44,5	20,0	56	108	*
5.420-20-16	25	1 1/4	50,8	20,0	55	107	*
5.420-16-20	31	1	44,5	25,0	60	129	
5.420-20-20	31	1 1/4	50,8	25,0	59	128	

Order no.	DN in mm	flange in inch	C in mm	min. D in mm	B±3 in mm	L±3 in mm	Note
5.420-24-20	31	1 1/2	60,3	25,0	61	130	
5.420-20-24	38	1 1/4	50,8	26,0	60	129	
5.420-24-24	38	1 1/2	60,3	30,0	62	131	
5.420-32-24	38	2	71,4	30,0	62	131	
5.420-24-32	51	1 1/2	60,3	30,0	76	145	
5.420-32-32	51	2	71,4	40,0	79	144	

**Note**

\* changed outline to improve the safety, therefore measurements differ from standard systems

**Accessories**

O-ring SAE flange

# Pressure fittings SFL 45°

Updated at:  
11.01.2023

## Connection

SAE flange 3000PSI (L series)

## Standard

ISO 6162-1

## Application

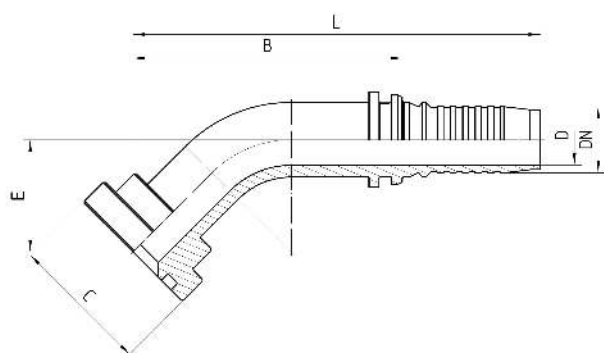
4SH flexible tubes

## Material

Steel

## Surface protection

Zinc-electroplated



Order no.	DN in mm	flange in inch	C in mm	min. D in mm	E±3 in mm	B±3 in mm	L±3 in mm	Note
5.450-08-12	19	1/2	30,2	13,5	34	77	118	
5.450-12-12	19	3/4	38,1	14,8	30	79	120	
5.450-16-12	19	1	44,5	14,8	34	77	118	
5.450-12-16	25	3/4	38,1	23,0	32	88	140	*
5.450-16-16	25	1	44,5	20,0	32	88	140	*
5.450-20-16	25	1 1/4	50,8	20,0	32	88	140	*
5.450-16-20	31	1	44,5	25,0	44	115	184	
5.450-20-20	31	1 1/4	50,8	25,0	42	113	182	

Order no.	DN in mm	flange in inch	C in mm	min. D in mm	E±3 in mm	B±3 in mm	L±3 in mm	Note
5.450-24-20	31	1 1/2	60,3	25,0	50	118	187	
5.450-20-24	38	1 1/4	50,8	26,0	50	113	182	
5.450-24-24	38	1 1/2	60,3	30,0	50	126	195	
5.450-32-24	38	2	71,4	30,0	45	116	185	
5.450-24-32	51	1 1/2	60,3	30,0	52	127	192	
5.450-32-32	51	2	71,4	40,0	65	138	203	

**Note**

\* changed outline to improve the safety, therefore measurements differ from standard systems

**Accessories**

O-ring SAE flange

# Pressure fittings SFL 90°

Updated at:  
24.05.2022

## Connection

SAE flange 3000PSI (L series)

## Standard

ISO 6162-1

## Application

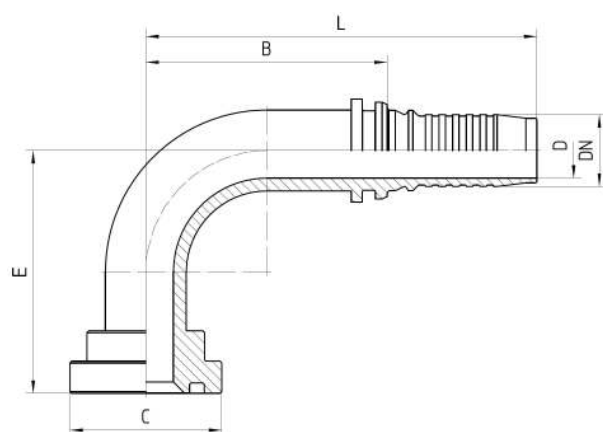
4SH flexible tubes

## Material

Steel

## Surface protection

Zinc-electroplated



Order no.	DN in mm	flange in inch	C in mm	min. D in mm	E±3 in mm	B±3 in mm	L±3 in mm	Note
5.470-08-12	19	1/2	30,2	13,5	61	60	101	
5.470-12-12	19	3/4	38,1	14,8	64	56	97	
5.470-16-12	19	1	44,5	14,8	65	60	101	
5.470-12-16	25	3/4	38,1	20,0	62	81	133	*
5.470-16-16	25	1	44,5	20,0	62	81	133	*
5.470-20-16	25	1 1/4	50,8	20,0	62	81	133	*
5.470-16-20	31	1	44,5	23,0	103	102	171	

Order no.	DN in mm	flange in inch	C in mm	min. D in mm	E±3 in mm	B±3 in mm	L±3 in mm	Note
5.470-20-20	31	1 1/4	50,8	25,0	101	102	171	
5.470-24-20	31	1 1/2	60,3	25,0	109	102	171	
5.470-20-24	38	1 1/4	50,8	26,0	109	121	190	
5.470-24-24	38	1 1/2	60,3	30,0	109	121	190	
5.470-32-24	38	2	71,4	30,0	111	121	190	
5.470-24-32	51	1 1/2	60,3	30,0	120	123	188	
5.470-32-32	51	2	71,4	40,0	140	123	188	

**Note**

\* changed outline to improve the safety, therefore measurements differ from standard systems

**Accessories**

O-ring SAE flange

# Pressure fittings SFS Straight

Updated at:  
24.05.2022

## Connection

SAE flange 6000PSI (S series)

## Standard

ISO 6162-2

## Application

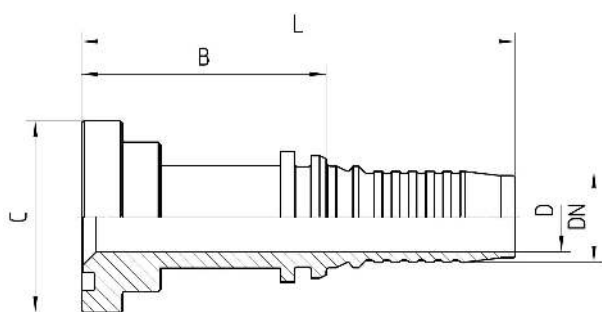
4SH flexible tubes

## Material

Steel

## Surface protection

Zinc-electroplated



Order no.	DN in mm	flange in inch	C in mm	min. D in mm	B±3 in mm	L±3 in mm	Note
5.421-08-12	19	1/2	31,7	14,0	52	93	
5.421-12-12	19	3/4	41,3	14,8	52	93	
5.421-16-12	19	1	47,6	14,8	54	95	
5.421-12-16	25	3/4	41,3	20,0	57	109	*
5.421-16-16	25	1	47,6	20,0	58	110	*
5.421-20-16	25	1 1/4	54,0	20,0	59	111	*
5.421-16-20	31	1	47,6	25,0	60	129	
5.421-20-20	31	1 1/4	54,0	25,0	65	134	

Order no.	DN in mm	flange in inch	C in mm	min. D in mm	B±3 in mm	L±3 in mm	Note
5.421-24-20	31	1 1/2	63,5	25,0	65	134	
5.421-20-24	38	1 1/4	54,0	26,0	64	133	
5.421-24-24	38	1 1/2	63,5	30,0	66	135	
5.421-32-24	38	2	79,4	30,0	75	144	
5.421-24-32	51	1 1/2	63,5	30,0	87	152	
5.421-32-32	51	2	79,4	40,0	93	158	

**Note**

\* changed outline to improve the safety, therefore measurements differ from standard systems



# Pressure fittings SFS 45°

Updated at:  
11.01.2023

## Connection

SAE flange 6000PSI (S series)

## Standard

ISO 6162-2

## Application

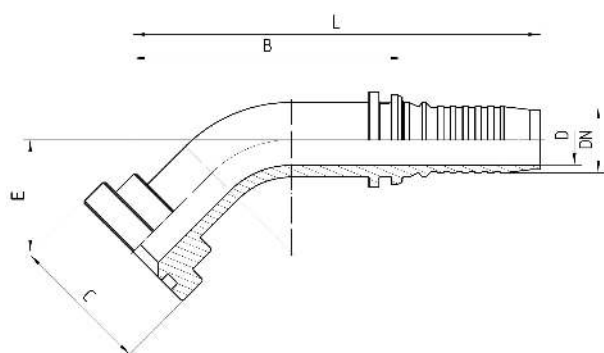
4SH flexible tubes

## Material

Steel

## Surface protection

Zinc-electroplated



Order no.	DN in mm	flange in inch	C in mm	min. D in mm	E±3 in mm	B±3 in mm	L±3 in mm	Note
5.451-08-12	19	1/2	31,7	14,0	33	79	120	
5.451-12-12	19	3/4	41,3	14,8	32	78	119	
5.451-16-12	19	1	47,6	14,8	36	76	117	
5.451-12-16	25	3/4	41,3	20,0	35	88	140	*
5.451-16-16	25	1	47,6	20,0	38	92	144	*
5.451-20-16	25	1 1/4	54,0	20,0	35	93	145	*
5.451-16-20	31	1	47,6	25,0	45	116	185	
5.451-20-20	31	1 1/4	54,0	25,0	45	116	185	

Order no.	DN in mm	flange in inch	C in mm	min. D in mm	E±3 in mm	B±3 in mm	L±3 in mm	Note
5.451-24-20	31	1 1/2	63,5	25,0	53	121	190	
5.451-20-24	38	1 1/4	54,0	26,0	53	131	200	
5.451-24-24	38	1 1/2	63,5	30,0	53	116	185	
5.451-32-24	38	2	79,4	30,0	55	126	195	
5.451-24-32	51	1 1/2	63,5	30,0	55	130	195	
5.451-32-32	51	2	79,4	40,0	55	130	195	

**Note**

\* changed outline to improve the safety, therefore measurements differ from standard systems

**Accessories**

O-ring SAE flange

## Pressure fittings SFS 90°

Updated at:  
24.05.2022

### Connection

SAE flange 6000PSI (S series)

### Standard

ISO 6162-2

### Application

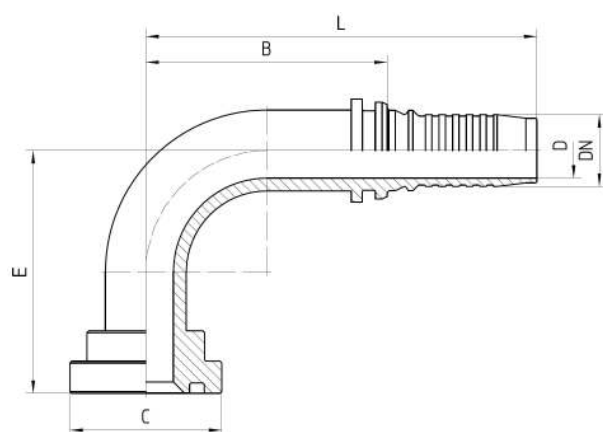
4SH flexible tubes

### Material

Steel

### Surface protection

Zinc-electroplated



Order no.	DN in mm	flange in inch	C in mm	min. D in mm	E±3 in mm	B±3 in mm	L±3 in mm	Note
5.471-08-12	19	1/2	31,7	14,0	66	60	101	
5.471-12-12	19	3/4	41,3	14,8	65	60	101	
5.471-16-12	19	1	47,6	14,8	70	60	101	
5.471-12-16	25	3/4	41,3	20,0	72	81	133	*
5.471-16-16	25	1	47,6	20,0	72	81	133	*
5.471-20-16	25	1 1/4	54,0	20,0	90	81	133	*
5.471-16-20	31	1	47,6	25,0	105	102	171	

Order no.	DN in mm	flange in inch	C in mm	min. D in mm	E±3 in mm	B±3 in mm	L±3 in mm	Note
5.471-20-20	31	1 1/4	54,0	25,0	105	102	171	
5.471-24-20	31	1 1/2	63,5	25,0	113	102	171	
5.471-20-24	38	1 1/4	54,0	26,0	113	121	190	
5.471-24-24	38	1 1/2	63,5	30,0	113	121	190	
5.471-32-24	38	2	79,4	30,0	124	121	190	
5.471-24-32	51	1 1/2	63,5	30,0	124	123	188	
5.471-32-32	51	2	79,4	40,0	124	123	188	

**Note**

\* changed outline to improve the safety, therefore measurements differ from standard systems

# Pressure fittings

## CAT flange straight

Updated at:  
24.05.2022

### Connection

CAT flange

### Application

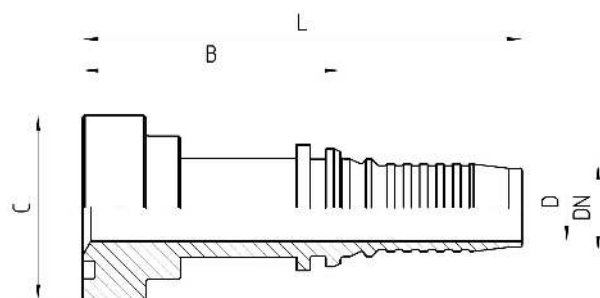
4SH flexible tubes

### Material

Steel

### Surface protection

Zinc-electroplated



Order no.	DN in mm	flange in inch	C in mm	min. D in mm	B±3 in mm	L±3 in mm	Note
5.426-12-12	19	3/4	41,3	14,8	52	93	
5.426-16-12	19	1	47,6	14,8	51	92	
5.426-12-16	25	3/4	41,3	20,0	58	110	*
5.426-16-16	25	1	47,6	20,0	60	112	*
5.426-20-16	25	1 1/4	54,0	20,0	63	115	*
5.426-16-20	31	1	47,6	23,0	66	135	
5.426-20-20	31	1 1/4	54,0	25,0	67	136	
5.426-24-20	31	1 1/2	63,5	25,0	68	137	
5.426-20-24	38	1 1/4	54,0	23,0	68	137	
5.426-24-24	38	1 1/2	63,5	30,0	69	138	

Order no.	DN in mm	flange in inch	C in mm	min. D in mm	B±3 in mm	L±3 in mm	Note
5.426-24-32	51	1 1/2	63,5	30,0	90	155	

**Note**

\* changed outline to improve the safety, therefore measurements differ from standard systems

# Pressure fittings CAT flange 45°

Updated at:  
24.05.2022

**Connection**

CAT flange

**Application**

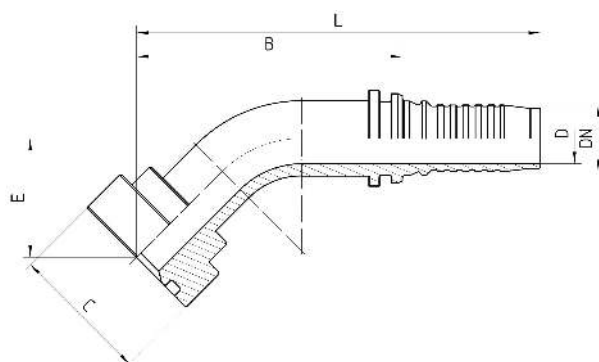
4SH flexible tubes

**Material**

Steel

**Surface protection**

Zinc-electroplated



PRESSURE  
FITTINGS

Order no.	DN in mm	Flange in inch	C in mm	min. D in mm	E±3 in mm	B±3 in mm	L±3 in mm	Note
5.456-12-12	19	3/4	41,3	14,8	35	78	119	
5.456-16-12	19	1	47,6	14,8	35	78	122	
5.456-12-16	25	3/4	41,3	20,0	59	97	149	*
5.456-16-16	25	1	47,6	20,0	38	96	148	*
5.456-20-16	25	1 1/4	54,0	20,0	38	96	148	*
5.456-16-20	31	1	47,6	23,0	48	119	188	
5.456-20-20	31	1 1/4	54,0	25,0	48	119	188	
5.456-24-20	31	1 1/2	63,5	25,0	55	123	192	
5.456-20-24	38	1 1/4	54,0	23,0	56	119	188	
5.456-24-24	38	1 1/2	63,5	30,0	55	118	187	

Order no.	DN in mm	Flange in inch	C in mm	min. D in mm	E±3 in mm	B±3 in mm	L±3 in mm	Note
5.456-24-32	51	1 1/2	63,5	30,0	57	132	197	

**Note**

\* changed outline to improve the safety, therefore measurements differ from standard systems



# Pressure fittings CAT flange 90°

Updated at:  
24.05.2022

**Connection**

CAT flange

**Application**

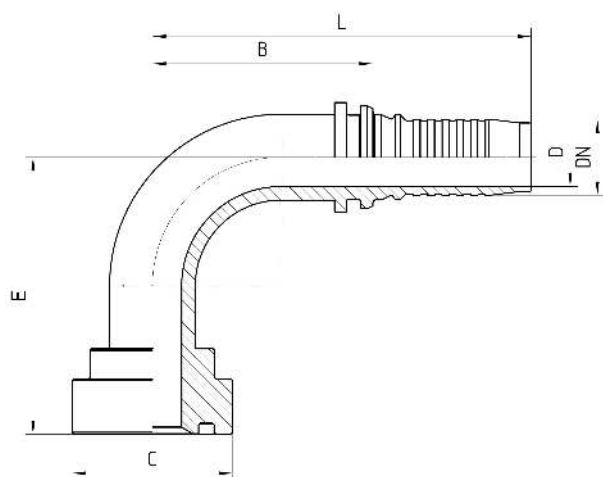
4SH flexible tubes

**Material**

Steel

**Surface protection**

Zinc-electroplated



PRESSURE FITTINGS

Order no.	DN in mm	Flange in inch	C in mm	min. D in mm	E±3 in mm	B±3 in mm	L±3 in mm	Note
5.476-12-12	19	3/4	41,3	14,8	65	60	101	
5.476-16-12	19	1	47,6	14,8	68	57	98	
5.476-12-16	25	3/4	41,3	20,0	77	81	133	*
5.476-16-16	25	1	47,6	20,0	76	81	133	*
5.476-20-16	25	1 1/4	54,0	20,0	94	81	133	*
5.476-16-20	31	1	47,6	23,0	109	102	171	
5.476-20-20	31	1 1/4	54,0	25,0	109	102	171	
5.476-24-20	31	1 1/2	63,5	25,0	116	102	171	
5.476-20-24	38	1 1/4	54,0	23,0	117	121	190	

Order no.	DN in mm	Flange in inch	C in mm	min. D in mm	E±3 in mm	B±3 in mm	L±3 in mm	Note
5.476-24-24	38	1 1/2	63,5	30,0	116	121	190	
5.476-24-32	51	1 1/2	63,5	30,0	127	123	188	

**Note**

\* geänderte Kontur aus sicherheitsrelevanten Gründen, daher Maßabweichungen vom marktüblichen System

## Pressure fittings 4SH SKIVE (540)

Updated at:  
24.05.2022

### Application

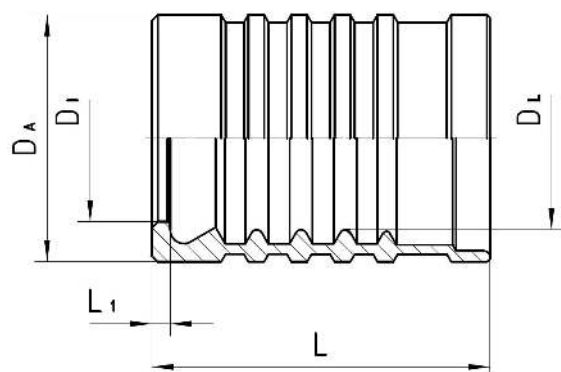
SKIVE 4SH press holder for dH5000 4SH hoses

### Material

Steel

### Surface protection

Zinc-electroplated



Order no.	DN in mm	DA in mm	DI in mm	DL in mm	L in mm	L1 in mm	Note
540-12	19	40,0	27,1	29,7	55,0	3,0	
540-16	25	48,6	33,5	36,6	68,5	3,4	*
540-20	31	57,0	40,0	45,0	75,1	3,5	
540-24	38	62,0	43,2	50,0	75,6	3,9	
540-32	51	78,2	57,9	65,9	75,0	5,0	

### Note

\* The proper crimping of the fittings needs to be verified by the hose manufacturer with appropriate tools.

# Pressure fittings CES straight

Updated at:  
24.05.2022

## Connection

Metric male thread 24° with inner cone, and pipe connection S series

## Standard

ISO 8434-1

## Application

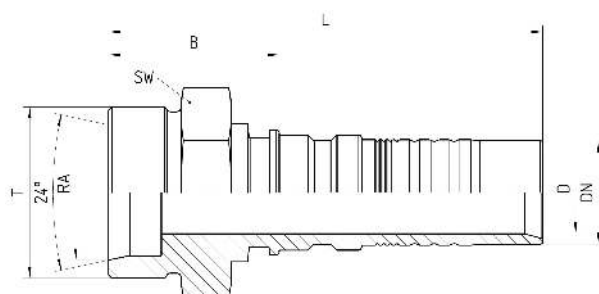
4SH / R15 / R13 (DN51) flexible tubes

## Material

Steel

## Surface protection

Zinc-electroplated



Order no.	DN in mm	RA	T	SW in mm	min. D in mm	B±3 in mm	L±3 in mm
7.180-10-10	16	20S	M 30X2	32	12,0	36	88
7.180-12-12	19	25S	M 36X2	36	15,0	41	98
7.180-16-16	25	30S	M 42x2	46	20,0	43	110
7.180-20-20	31	38S	M 52x2	55	25,0	52	132
7.180-24-24	38	50S	M 68x2	70	30,0	57	148

# Pressure fittings DKOS straight

Updated at:  
24.05.2022

## Connection

Sealing head 24° outside cone O-ring sealing with metric nut S series

## Standard

ISO 8434-1

## Application

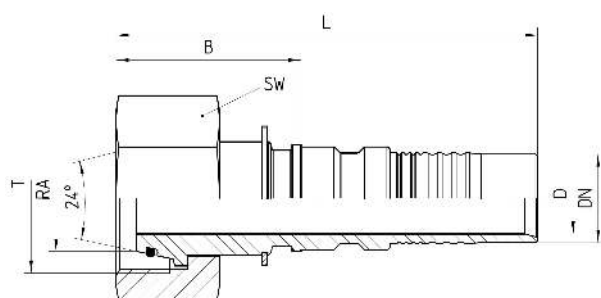
4SH / R15 / R13 (DN51) flexible tubes

## Material

Steel

## Surface protection

Zinc-electroplated



Order no.	DN in mm	RA	T	SW in mm	min. D in mm	B±3 in mm	L±3 in mm	Note
7.081-10-10	16	20S	M 30x2	36	12,0	33	84,5	
7.081-12-12/ SW41	19	25S	M 36x2	41	15,0	37	93	a
7.081-12-12/ SW46	19	25S	M 36x2	46	15,0	37	93	
7.081-12-16/ SW46	25	25S	M 36x2	46	17,0	39	106	b
7.081-16-16	25	30S	M 42x2	50	20,0	46	113	
7.581-20-16	25	38S	M 52x2	60	20,0	57	126	
7.081-16-20	31	30S	M 42x2	50	21,0	45	125	b

Order no.	DN in mm	RA	T	SW in mm	min. D in mm	B±3 in mm	L±3 in mm	Note
7.581-20-20	31	38S	M 52x2	60	25,0	62	142	
7.581-20-24	38	38S	M 52x2	60	30,0	49	140	b
7.081-24-24	38	50S	M 68x2	80	30,0	44	135	
7.081-24-32	51	50S	M 68x2	80	40,0	61	152	b

**Note**

a) not according to ISO 8434-1, b) wire nut

**Accessories**

O-ring DKOL/DKOS

# Pressure fittings DKOS 45°

Updated at:  
24.05.2022

## Connection

Sealing head 24° outside cone O-ring sealing with metric nut S series

## Standard

ISO 8434-1

## Application

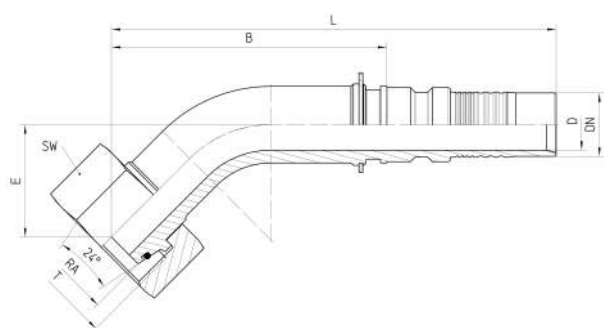
4SH / R15 / R13 (DN51) flexible tubes

## Material

Steel

## Surface protection

Zinc-electroplated



Order no.	DN in mm	RA	T	SW in mm	min. D in mm	E±3 in mm	B±3 in mm	L±3 in mm	Note
7.085-10-10	16	20S	M 30x2	36	12,0	30	73	120	
7.085-12-12/ SW41	19	25S	M 36x2	41	15,0	41	92	148	a
7.085-12-12/ SW46	19	25S	M 36x2	46	15,0	41	92	148	
7.085-12-16/ SW46	25	25S	M 36x2	46	17,0	48	119	185	b
7.085-16-16	25	30S	M 42x2	50	20,0	44	108	175	
7.585-20-16	25	38S	M 52x2	60	20,0	60	151	218	
7.585-20-20	31	38S	M 52x2	60	25,0	56	143	223	

Order no.	DN in mm	RA	T	SW in mm	min. D in mm	E±3 in mm	B±3 in mm	L±3 in mm	Note
7.585-20-24	38	38S	M 52x2	60	25,0	52	154	245	b

**Note**

a) not according to ISO 8434-1, b) wire nut

**Accessories**

O-ring DKOL/DKOS



# Pressure fittings DKOS 90°

Updated at:  
24.05.2022

## Connection

Sealing head 24° outside cone O-ring sealing with metric nut S series

## Standard

ISO 8434-1

## Application

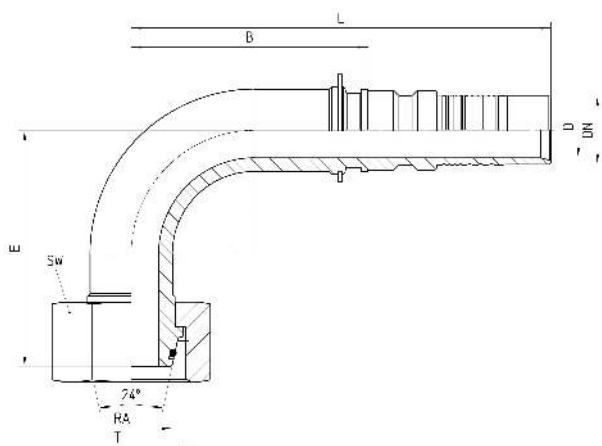
4SH / R15 / R13 (DN51) flexible tubes

## Material

Steel

## Surface protection

Zinc-electroplated



Order no.	DN in mm	RA	T	SW in mm	min. D in mm	E±3 in mm	B±3 in mm	L±3 in mm	Note
7.089-10-10	16	20S	M 30x2	36	12,0	59	52	104	
7.089-12-12/ SW41	19	25S	M 36x2	41	15,0	71	65	121	a
7.089-12-12/ SW46	19	25S	M 36x2	46	15,0	71	65	121	
7.089-16-12	19	30S	M 42x2	50	15,0	74	65	121	
7.089-12-16/ SW46	25	25S	M 36x2	46	17,0	94	93	160	b
7.089-16-16	25	30S	M 42x2	50	20,0	86	84	153	
7.589-20-16	25	38S	M 52x2	60	20,0	111	84	151	

Order no.	DN in mm	RA	T	SW in mm	min. D in mm	E±3 in mm	B±3 in mm	L±3 in mm	Note
7.589-20-20	31	38S	M 52x2	60	25,0	110	117	197	
7.589-20-24	38	38S	M 52x2	60	25,0	135	124	215	b

**Note**

a) not according to ISO 8434-1, b) wire nut

**Accessories**

O-ring DKOL/DKOS

# Pressure fittings

## DKOS Hammer Drill straight

Updated at:  
24.05.2022

### Connection

Sealing head 24° outside cone O-ring sealing with metric nut S series

### Standard

ISO 8434-1

### Application

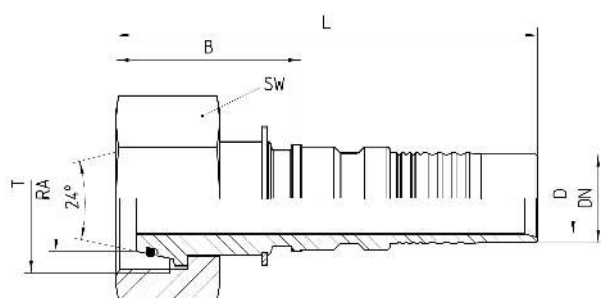
4SH / R15 / R13 (DN51) flexible tubes

### Material

Steel

### Surface protection

Zinc-electroplated



Order no.	DN in mm	RA	T in inch	SW in mm	min.D in mm	B±3 in mm	L±3 in mm	Ferrules for 4 SH Order no.	Ferrules for R15 Order no.
7.581-12-12/ BH	19	25S	M 36x2	46	12,0	50	104	740-12	740-12
7.581-16-16/ BH	25	30S	M 42x2	50	17,0	52	121	740-16	740-16
7.581-20-20/ BH	31	38S	M 52x2	60	22,0	62	142	740-20	760-20

### Accessories

O-ring DKOL/DKOS

# Pressure fittings

## AGR cylindrical straight

Updated at:  
24.05.2022

### Connection

BSPB male thread (G) with 60° inner cone

### Standard

ISO 8434-6

### Application

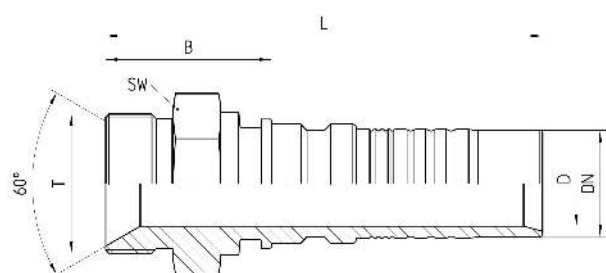
4SH / R15 / R13 (DN51) flexible tubes

### Material

Steel

### Surface protection

Zinc-electroplated



Order no.	DN	T in inch	SW in mm	min. D in mm	B±3 in mm	L±3 in mm
7.260-12-12	19	G 3/4	30	15,0	37	93
7.260-16-16	25	G 1	36	20,0	46	112
7.260-20-20	31	G 1 1/4	46	25,0	49	129
7.260-24-24	38	G 1 1/2	55	30,0	51	142
7.260-32-32	51	G 2	65	40,0	57	148

# Pressure fittings DKOR straight

Updated at:  
24.05.2022

## Connection

Sealing head 60° outside cone O-ring sealing with BSPP nut (G)

## Standard

ISO 8434-6

## Application

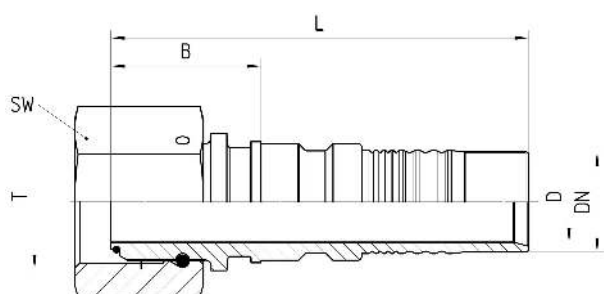
4SH / R15 / R13 (DN51) flexible tubes

## Material

Steel

## Surface protection

Zinc-electroplated



Order no.	DN in mm	T in inch	SW in mm	min. D in mm	B±3 in mm	L±3 in mm
7.203-12-12/O	19	G 3/4	32	15,0	56	87
7.203-16-16/O	25	G 1	41	20,0	37	104
7.203-20-20/O	31	G 1 1/4	50	25,0	39	119
7.203-24-24/O	38	G 1 1/2	55	30,0	37	129
7.203-32-32/O	51	G 2	70	40,0	91	137

# Pressure fittings DKOR 45°

Updated at:  
24.05.2022

## Connection

Sealing head 60° outside cone O-ring sealing with BSPP nut (G)

## Standard

ISO 8434-6

## Application

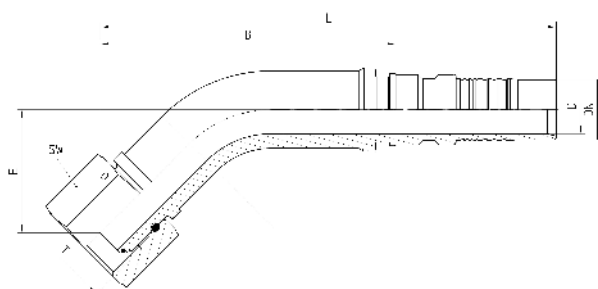
4SH / R15 / R13 (DN51) flexible tubes

## Material

Steel

## Surface protection

Zinc-electroplated



Order no.	DN in mm	T in inch	SW in mm	min. D in mm	E±3 in mm	B±3 in mm	L±3 in mm
7.233-12-12/O	19	G 3/4	32	15,0	39	95	151
7.233-16-16/O	25	G 1	41	20,0	51	122	189
7.233-20-20/O	31	G 1 1/4	50	25,0	54	145	225
7.233-24-24/O	38	G 1 1/2	55	30,0	68	157	248
7.233-32-32/O	51	G 2	70	40,0	76	190	281

# Pressure fittings DKOR 90°

Updated at:  
24.05.2022

## Connection

Sealing head 60° outside cone O-ring sealing with BSPP nut (G)

## Standard

ISO 8434-6

## Application

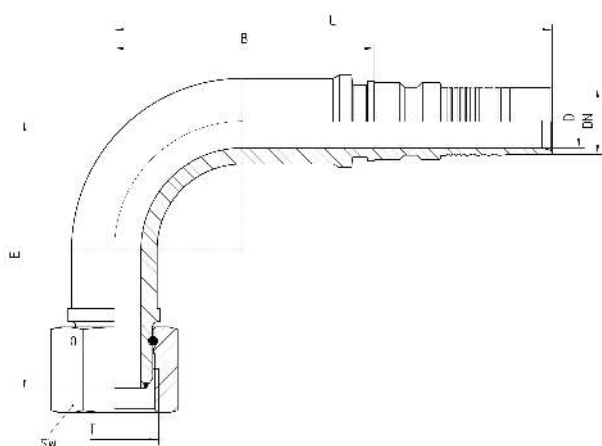
4SH / R15 / R13 (DN51) flexible tubes

## Material

Steel

## Surface protection

Zinc-electroplated



Order no.	DN in mm	T in inch	SW in mm	min. D in mm	E±3 in mm	B±3 in mm	L±3 in mm
7.243-12-12/O	19	G 3/4	32	15,0	75	65	121
7.243-16-16/O	25	G 1	41	20,0	100	93	160
7.243-20-20/O	31	G 1 1/4	50	25,0	109	117	197
7.243-24-24/O	38	G 1 1/2	55	30,0	132	131	222
7.243-32-32/O	51	G 2	70	40,0	150	139	230

# Pressure fittings AGJ straight

Updated at:  
24.05.2022

## Connection

UN male thread with 74° outside cone

## Standard

ISO 8434-2

## Application

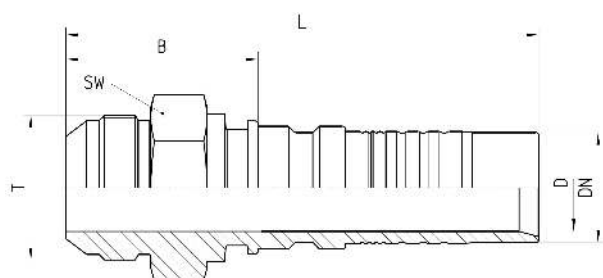
4SH / R15 / R13 (DN51) flexible tubes

## Material

Steel

## Surface protection

Zinc-electroplated



Order no.	DN	T in UN	SW in mm	min. D in mm	B±3 in mm	L±3 in mm
7.370-12-12	19	1 1/16-12 UN	27	15	44	101
7.370-16-16	25	1 5/16-12 UN	36	20	51	118
7.370-20-20	31	1 5/8-12 UN	46	25	55	135
7.370-24-24	38	1 7/8-12 UN	55	30	55	146
7.370-32-32	51	2 1/2-12 UN	65	40	63	154



# Pressure fittings DKJ straight

Updated at:  
24.05.2022

## Connection

Sealing head 74° inner cone with UN nut

## Standard

ISO 8434-2

## Application

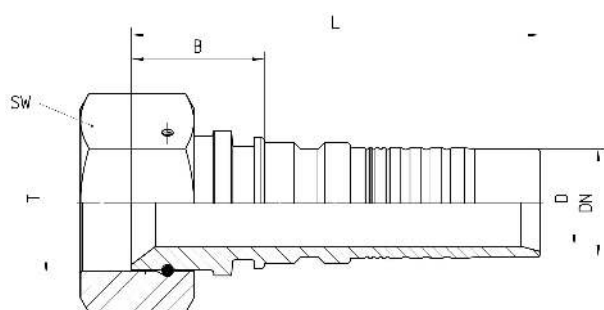
4SH / R15 / R13 (DN51) flexible tubes

## Material

Steel

## Surface protection

Zinc-electroplated



Order no.	DN in mm	T in UN	SW in mm	min.D	B±3 in mm	L±3 in mm
7.313-12-12	19	1 1/16"-12	32	15,0	27	83
7.313-16-16	25	1 5/16"-12	41	20,0	30	96
7.313-20-20	31	1 5/8"-12	55	25,0	39	119
7.313-24-24	38	1 7/8"-12	60	30,0	37	129
7.313-32-32	51	2 1/2"-12	75	40,0	46	137

## Pressure fittings DKJ 45°

Updated at:  
24.05.2022

### Connection

Sealing head 74° inner cone with UN nut

### Standard

ISO 8434-2

### Application

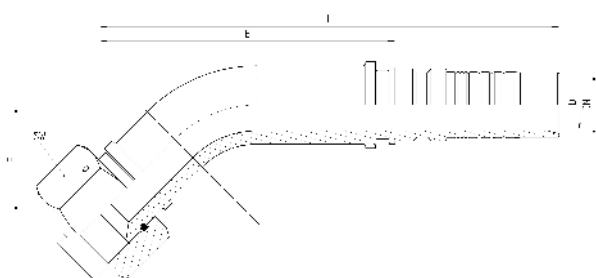
4SH / R15 / R13 (DN51) flexible tubes

### Material

Steel

### Surface protection

Zinc-electroplated



Order no.	DN in mm	T in UN	SW in mm	min.D in mm	E in mm	B±3 in mm	L±3 in mm
7.343-12-12	19	1 1/16-12 UN	32	15,0	36	92	148
7.343-16-16	25	1 5/16-12 UN	41	20,0	50	121	188
7.343-20-20	31	1 5/8-12 UN	55	25,0	53	144	224
7.343-24-24	38	1 7/8-12 UN	60	30,0	68	157	248
7.343-32-32	51	2 1/2-12 UN	75	40,0	76	190	281

## Pressure fittings DKJ 90°

Updated at:  
24.05.2022

### Connection

Sealing head 74° inner cone with UN nut

### Standard

ISO 8434-2

### Application

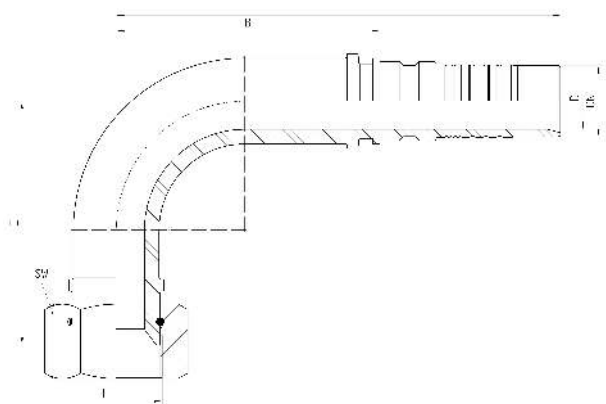
4SH / R15 / R13 (DN51) flexible tubes

### Material

Steel

### Surface protection

Zinc-electroplated



Order no.	DN in mm	T in inch	SW in mm	min.D in mm	E ±3 in mm	B±3 in mm	L±3 in mm
7.353-12-12	19	1 1/16-12 UN	32	15,0	71	65	121
7.353-16-16	25	1 5/16-12 UN	41	20,0	98	97	164
7.353-20-20	31	1 5/8-12 UN	55	25,0	108	117	197
7.353-24-24	38	1 7/8-12 UN	60	30,0	132	131	222
7.353-32-32	51	2 1/2-12 UN	75	40,0	150	139	230

# Pressure fittings

## ORS straight

Updated at:  
24.05.2022

### Connection

Frontal UN male thread O-ring sealing

### Standard

ISO 8434-3

### Application

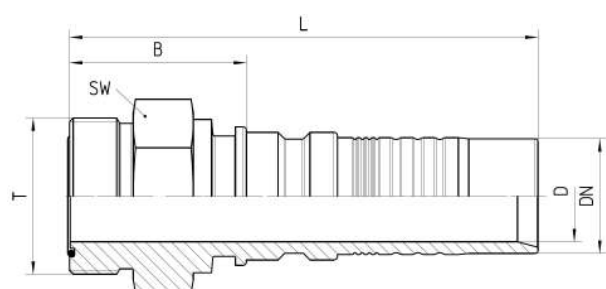
4SH / R15 / R13 (DN51) flexible tubes

### Material

Steel

### Surface protection

Zinc-electroplated



Order no.	DN in mm	T in UN	SW in mm	min. D in mm	B±3 in mm	L±3 in mm
7.380-12-12	19	1.3/16-12 UN	32	15,0	38	94
7.380-16-16	25	1.7/16-12 UN	41	20,0	45	112
7.380-20-20	31	1.11/16-12 UN	46	25,0	49	129
7.380-24-24	38	2-12 UN	55	30,0	49	140

# Pressure fittings ORFS straight

Updated at:  
24.05.2022

## Connection

Flat sealing head with UN nut

## Standard

ISO 8434-3

## Application

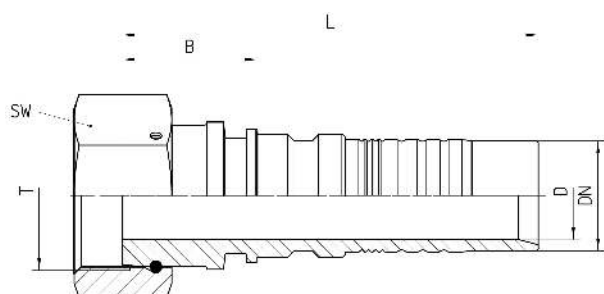
4SH / R15 / R13 (DN51) flexible tubes

## Material

Steel

## Surface protection

Zinc-electroplated



Order no.	DN in mm	T in UN	SW in mm	min. D in mm	B±3 in mm	L±3 in mm
7.315-12-12	19	1 3/16-12 UN	36	15	27	83
7.315-16-16	25	1 7/16-12 UN	41	20	27	94
7.315-20-20	31	1 11/16-12 UN	50	25	38	119
7.315-24-24	38	2-12 UN	60	30	39	131

# Pressure fittings ORFS 45°

Updated at:  
24.05.2022

## Connection

Flat sealing head with UN nut

## Standard

ISO 8434-3

## Application

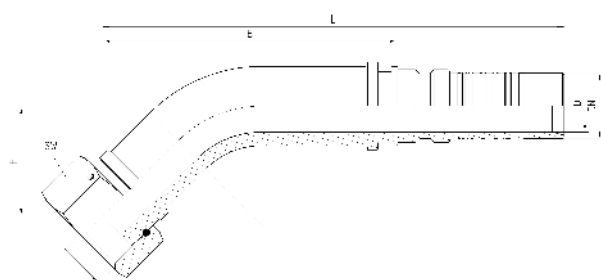
4SH / R15 / R13 (DN51) flexible tubes

## Material

Steel

## Surface protection

Zinc-electroplated



Order no.	DN in mm	T in UN	SW in mm	min. D in mm	E±3 in mm	B±3 in mm	L±3 in mm
7.345-12-12	19	1.3/16-12 UN	36	15,0	36	92	148
7.345-16-16	25	1.7/16-12 UN	41	20,0	46	116	183
7.345-20-20	31	1.11/16-12 UN	50	25,0	53	142	222
7.345-24-24	38	2-12 UN	60	30,0	65	154	245

# Pressure fittings ORFS 90°

Updated at:  
24.05.2022

## Connection

Flat sealing head with UN nut

## Standard

ISO 8434-3

## Application

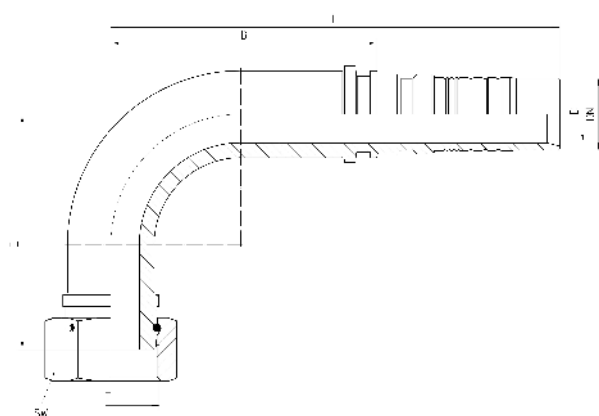
4SH / R15 / R13 (DN51) flexible tubes

## Material

Steel

## Surface protection

Zinc-electroplated



Order no.	DN in mm	T in UN	SW in mm	min. D in mm	E±3 in mm	B±3 in mm	L±3 in mm
7.355-12-12	19	1 3/16-12 UN	36	15,0	70	72	128
7.355-16-16	25	1 7/16-12 UN	41	20,0	87	97	164
7.355-20-20	31	1 11/16-12 UN	50	25,0	103	117	197
7.355-24-24	38	2-12 UN	60	30,0	127	131	222

# Pressure fittings

## AGN straight

Updated at:  
24.05.2022

### Connection

NPT male thread with 74° outside cone

### Application

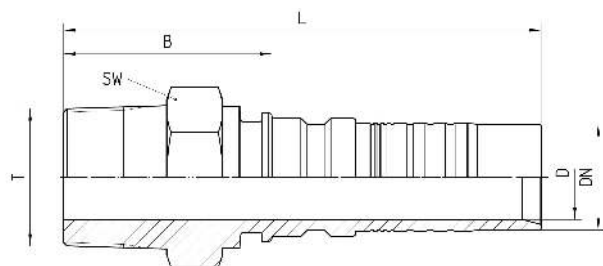
4SH / R15 / R13 (DN51) flexible tubes

### Material

Steel

### Surface protection

Zinc-electroplated



Order no.	DN	T in NPTF	SW in mm	min. D in mm	B±3 in mm	L±3 in mm
7.300-12-12	19	3/4"-14	27	15,0	44	100
7.300-16-16	25	1" -11.1/2	36	20,0	51	118
7.300-20-20	31	1 1/4"-11.1/	46	25,0	62	142
7.300-24-24	38	1 1/2"-11.1/2	55	30,0	59	150
7.300-32-32	51	2"-11.1/2	65	40,0	64	155



# Pressure fittings SFL straight

Updated at:  
24.05.2022

## Connection

SAE flange 3000PSI (L series)

## Standard

ISO 6162-1

## Application

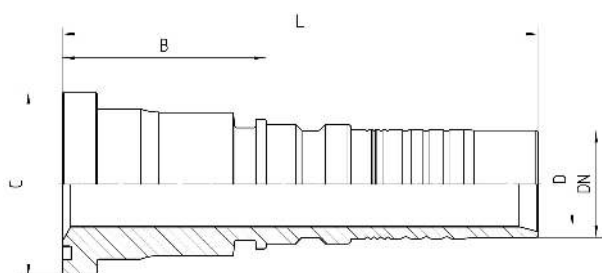
4SH / R15 / R13 (DN51) flexible tubes

## Material

Steel

## Surface protection

Zinc-electroplated



Order no.	DN in mm	flange in inch	C in mm	min. D in mm	B±3 in mm	L±3 in mm
7.420-12-12	19	3/4	38,1	15	54	110
7.420-16-12	19	1	44,5	15	59	115
7.420-16-16	25	1	44,5	20	58	125
7.420-20-16	25	1 1/4	50,8	20	60	127
7.420-16-20	31	1	44,5	25	91	171
7.420-20-20	31	1 1/4	50,8	25	60	140
7.420-20-24	38	1 1/4	50,8	30	99	190
7.420-24-24	38	1 1/2	60,3	30	82	173
7.420-32-32	51	2	71,4	40	101	192

## Pressure fittings SFL 45°

Updated at:  
24.05.2022

### Connection

SAE flange 3000PSI (L series)

### Standard

ISO 6162-1

### Application

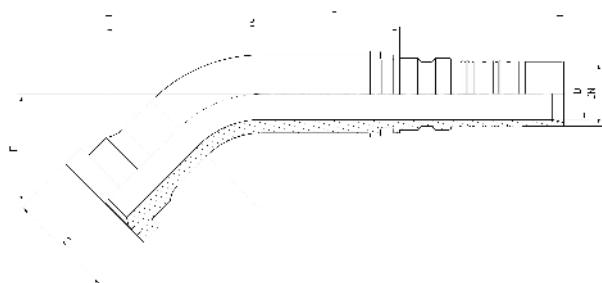
4SH / R15 / R13 (DN51) flexible tubes

### Material

Steel

### Surface protection

Zinc-electroplated



Order no.	DN in mm	flange in inch	C in mm	min. D in mm	E±3 in mm	B±3 in mm	L±3 in mm
7.450-12-12	19	3/4	38,1	15,0	30	81	137
7.450-16-16	25	1	44,5	20,0	46	114	181
7.450-20-20	31	1 1/4	50,8	25,0	53	145	225
7.450-24-24	38	1 1/2	60,3	30,0	60	153	244
7.450-32-32	51	2	71,4	40,0	66	150	241

# Pressure fittings SFL 90°

Updated at:  
24.05.2022

## Connection

SAE flange 36000PSI (L series)

## Standard

ISO 6162-1

## Application

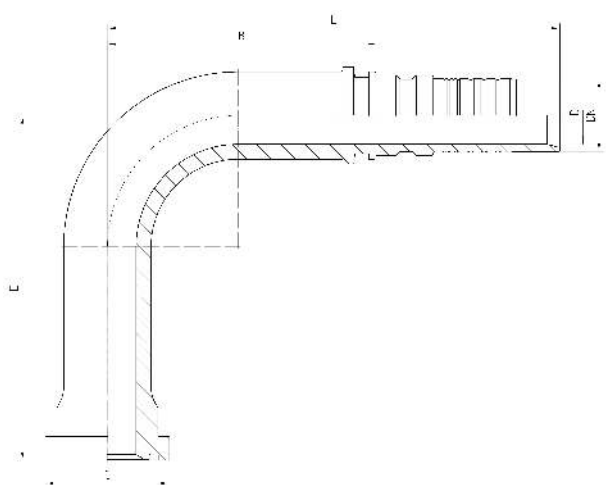
4SH / R15 / R13 (DN51) flexible tubes

## Material

Steel

## Surface protection

Zinc-electroplated



Order no.	DN in mm	flange in inch	C in mm	min. D in mm	E±3 in mm	B±3 in mm	L±3 in mm
7.470-12-12	19	3/4	38,1	15,0	64	72	128
7.470-16-16	25	1	44,5	20,0	88	93	160
7.470-20-20	31	1 1/4	50,8	25,0	108	117	197
7.470-24-24	38	1 1/2	60,3	30,0	117	139	230
7.470-32-24	38	2	71,4	40,0	135	139	230
7.470-32-32	51	2	71,4	40,0	140	133	224

# Pressure fittings SFS straight

Updated at:  
24.05.2022

## Connection

SAE flange 6000PSI (S series)

## Standard

ISO 6162-1

## Application

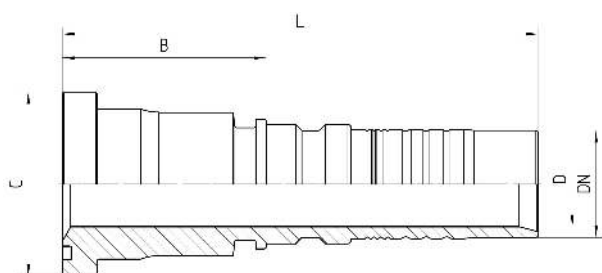
4SH / R15 / R13 (DN51) flexible tubes

## Material

Steel

## Surface protection

Zinc-electroplated



Order no.	DN in mm	flange in inch	C in mm	min. D in mm	B±3 in mm	L±3 in mm
7.421-12-12	19	3/4	41,3	15,0	54	110
7.421-16-12	19	1	47,6	15,0	59	115
7.421-12-16	25	3/4	41,3	20,0	54	121
7.421-16-16	25	1	47,6	20,0	58	125
7.421-20-16	25	1 1/4	54,0	20,0	60	127
7.421-16-20	31	1	47,6	25,0	91	171
7.421-20-20	31	1 1/4	54,0	25,0	60	140
7.421-24-20	31	1 1/2	63,5	25,0	99	162
7.421-20-24	38	1 1/4	54,0	30,0	124	190

Order no.	DN in mm	flange in inch	C in mm	min. D in mm	B±3 in mm	L±3 in mm
7.421-24-24	38	1 1/2	63,5	30,0	107	173
7.421-24-32	51	1 1/2	63,5	37,0	108	214
7.421-32-32	51	2	79,4	40,0	101	192

## Pressure fittings SFS 45°

Updated at:  
24.05.2022

### Connection

SAE flange 6000PSI (S series)

### Standard

ISO 6162-2

### Application

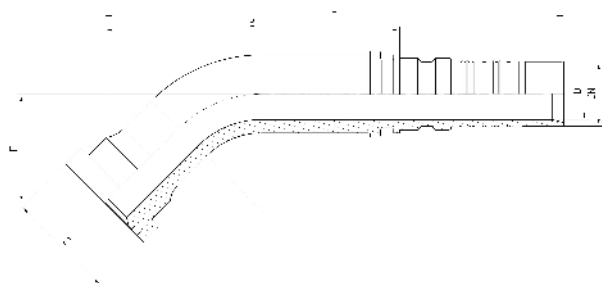
4SH / R15 / R13 (DN51) flexible tubes

### Material

Steel

### Surface protection

Zinc-electroplated



Order no.	DN in mm	flange in inch	C in mm	min. D in mm	E±3 in mm	B±3 in mm	L±3 in mm
7.451-12-12	19	3/4	41,3	15,0	32	81	137
7.451-16-16	25	1	47,6	20,0	44	108	178
7.451-16-20	31	1	47,6	25,0	44	134	215
7.451-20-20	31	1 1/4	54,0	25,0	53	144	224
7.451-20-24	38	1 1/4	54,0	30,0	60	149	240
7.451-24-24	38	1 1/2	63,5	30,0	59	158	249
7.451-32-32	51	2	79,4	40,0	65	152	243

# Pressure fittings SFS 90°

Updated at:  
24.05.2022

## Connection

SAE flange 6000PSI (S series)

## Standard

ISO 6162-2

## Application

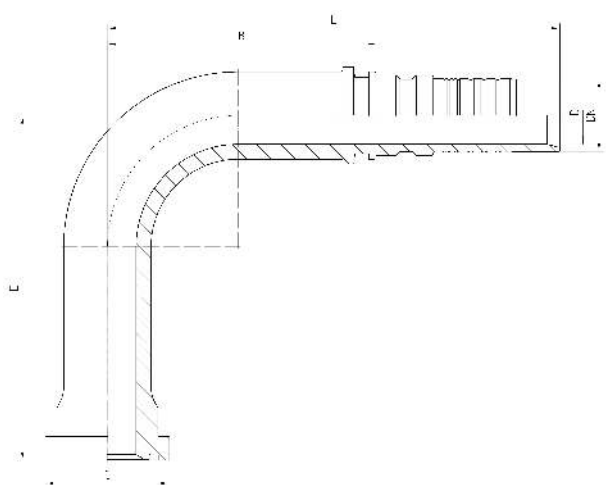
4SH / R15 / R13 (DN51) flexible tubes

## Material

Steel

## Surface protection

Zinc-electroplated



Order no.	DN in mm	flange in inch	C in mm	min. D in mm	E±3 in mm	B±3 in mm	L±3 in mm
7.471-12-12	19	3/4	41,3	15,0	64	71	127
7.471-16-16	25	1	47,6	20,0	88	93	160
7.471-20-16	25	1 1/4	54,0	20,0	100	93	160
7.471-16-20	31	1	47,6	25,0	96	117	197
7.471-20-20	31	1 1/4	54,0	25,0	108	117	197
7.471-20-24	38	1 1/4	54,0	30,0	115	139	230
7.471-24-24	38	1 1/2	63,5	30,0	117	139	230

Order no.	DN in mm	flange in inch	C in mm	min. D in mm	E±3 in mm	B±3 in mm	L±3 in mm
7.471-32-32	51	2	79,4	40,0	140	133	224



## Pressure fittings 4SH SKIVE (740)

Updated at:  
24.05.2022

### Application

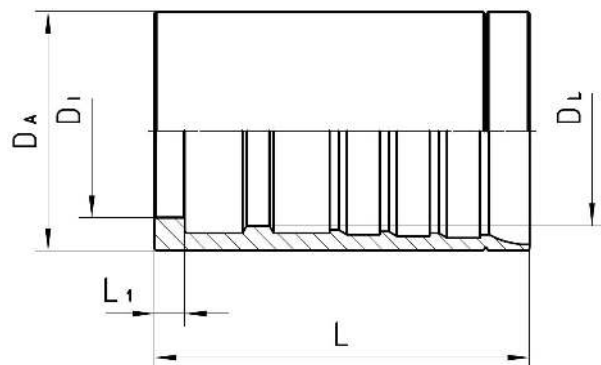
SKIVE 4SH / R15 press holder for dH7000 4SH / R15 flexible tubes

### Material

Steel

### Surface protection

Zinc-electroplated



Order no.	DN in mm	DA in mm	DI in mm	DL in mm	L in mm	L1 in mm
740-10	16	34,0	23,6	26,0	50,0	3,8
740-12	19	38,0	27,6	30,0	60,0	4,8
740-16	25	46,0	33,0	36,1	71,5	5,7
740-20	31	56,9	40,8	43,4	87,0	6,2
740-24	38	65,8	48,5	50,3	95,0	6,2
740-32	51	80,7	61,0	64,7	100,2	6,2

## Pressure fittings R15 SKIVE (760)

Updated at:  
24.05.2022

### Application

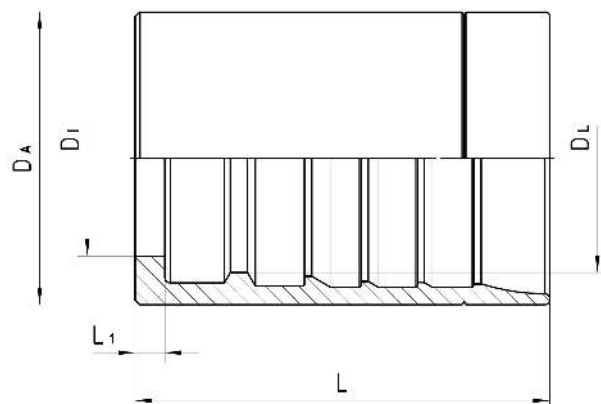
SKIVE 4SH / R15 press holder for dH7000 4SH / R15 flexible tubes

### Material

Steel

### Surface protection

Zinc-electroplated



Order no.	DN in mm	DA in mm	DI in mm	DL in mm	L in mm	L1 in mm
740-12	19	38,0	27,6	30,0	60,0	4,8
740-16	25	46,0	33,0	36,1	71,5	5,7
760-20	31	61,0	40,8	47,6	87,0	6,2
760-24	38	70,0	49,0	54,5	95,0	6,2

# Pressure fittings R13 SKIVE (760)

Updated at:  
24.05.2022

## Application

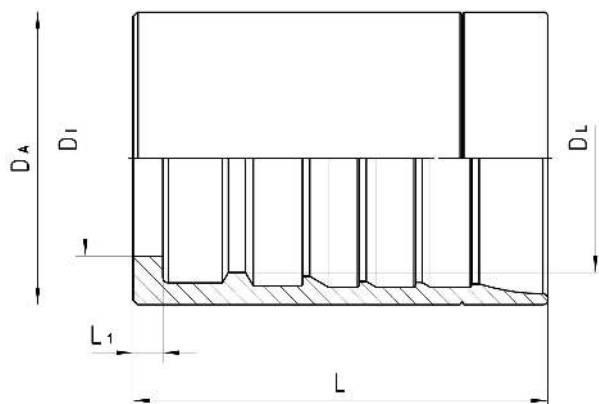
SKIVE R13 press holder for dH7000 R13 flexible tubes

## Material

Steel

## Surface protection

Zinc-electroplated



Order no.	DN in mm	DA in mm	DI in mm	DL in mm	L in mm	L1 in mm
760-32	51	85,0	61,0	69,0	100,2	6,2

# Pressure fittings DKOS straight

Updated at:  
24.05.2022

## Connection

Sealing head 24° outside cone O-ring sealing with metric nut S series

## Standard

ISO 8434-1

## Application

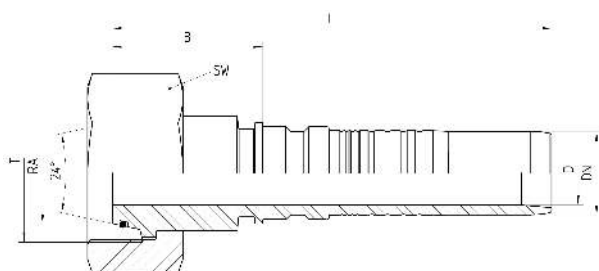
560 bar flexible tubes

## Material

Steel

## Surface protection

Zinc-electroplated



Order no.	DN in mm	RA	T	SW in mm	min. D in mm	B±3 in mm	L±3 in mm	working pressure in bar
8.881-12-12	19	25 S	M 36x2.0	46	14	40	111	560
8.881-16-16	25	30 S	M 42x2.0	55	19	45	133	560
8.881-20-16	25	38 S	M 52x2.0	65	19	56	144	525
8.881-20-20	31	38 S	M 52x2.0	65	24	57	166	525

# Pressure fittings DKOS 45°

Updated at:  
24.05.2022

## Connection

Sealing head 24° outside cone O-ring sealing with metric nut S series

## Standard

ISO 8434-1

## Application

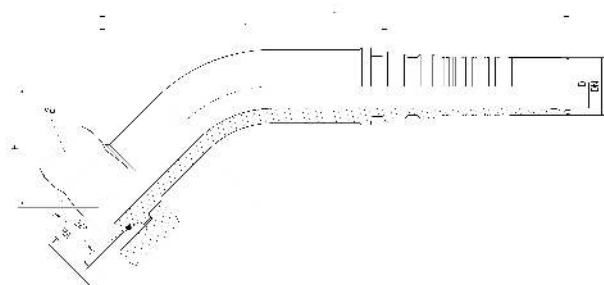
560 bar flexible tubes

## Material

Steel

## Surface protection

Zinc-electroplated



Order no.	DN in mm	RA	T	SW in mm	min. D in mm	E±3 in mm	B±3 in mm	L±3 in mm	working pressure in bar
8.885-12-12	19	25 S	M 36x2	46	14,0	40	92	163	560
8.885-16-16	25	30 S	M 42x2	55	19,0	69	141	230	560
8.885-20-20	31	38 S	M 52x2	65	24,0	61	134	233	523

# Pressure fittings DKOS 90°

Updated at:  
24.05.2022

## Connection

Sealing head 24° outside cone O-ring sealing with metric nut S series

## Standard

ISO 8434-1

## Application

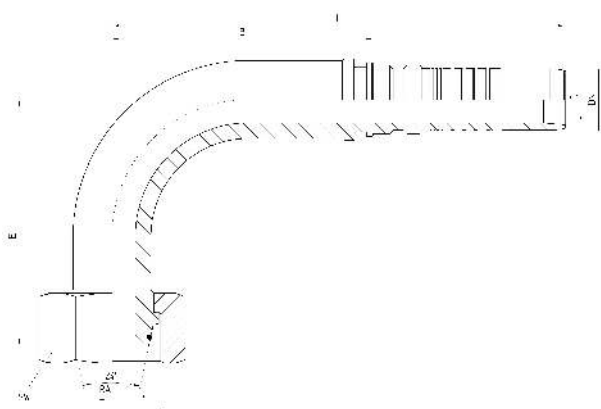
560 bar flexible tubes

## Material

Steel

## Surface protection

Zinc-electroplated



Order no.	DN in mm	RA	T	SW in mm	min. D in mm	E±3 in mm	B±3 in mm	L±3 in mm	working pressure in bar
8.889-12-12	19	25 S	M 36x2	46	14,0	76	77	148	560
8.889-16-16	25	30 S	M 42x2	55	19,0	122	109	197	560
8.889-20-20	31	38 S	M 52x2	65	24,0	131	135	234	525

# Pressure fittings SFS straight

Updated at:  
24.05.2022

## Connection

SAE flange 6000 PSI (S series)

## Standard

ISO 6162-2

## Application

560 bar flexible tubes

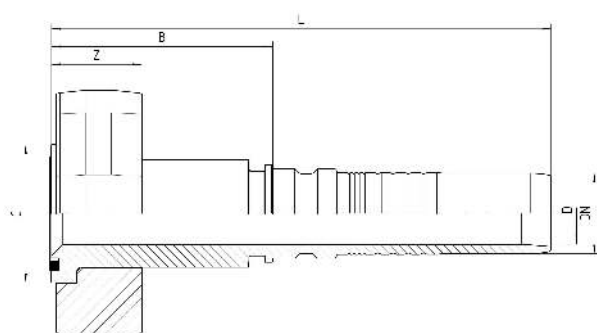
## Material

Steel

## Surface protection

Zinc-electroplated

PRESSURE  
FITTINGS



Order no.	DN in mm	Flange in inch	C in mm	min. D in mm	B±3 in mm	L±3 in mm	Z in mm	S1 in mm	S2 in mm	T1 in mm	T2 in mm	cheese-head screw 4x DIN EN ISO 4762 12.9	Kantseal ring 90 Shore
8.821-12-12	19	3/4	41,3	14,0	71,0	142	28,5 ± 0,2	23,8	50,80	62,0 +0,9 -0,5	73,0 +0,9 -0,5	M 10x45	24,99x3,40
8.821-16-12	19	1	48,0	14,0	71,0	142	28,5 ± 0,2	27,8	57,22	73,5 +0,9 -0,5	82,5 +0,9 -0,5	M 12x50	32,92x3,40
8.821-16-16	25	1	48,0	19,0	79,0	167	28,5 ± 0,2	27,8	57,22	73,5 +0,9 -0,5	82,5 +0,9 -0,5	M 12x50	32,92x3,40
8.821-20-16	25	1 1/4	54,0	19,0	56,6	145	35,5 ± 0,3	31,8	66,70	83,5 +1,1 -0,5	96,5 +1,1 -0,5	M 12x50	32,92x3,40

Order no.	DN in mm	Flange in inch	C in mm	min. D in mm	B±3 in mm	L±3 in mm	Z in mm	S1 in mm	S2 in mm	T1 in mm	T2 in mm	cheese-head screw 4x DIN EN ISO 4762 12.9	Kantseal ring 90 Shore
8.821-20-20	31	1 1/4	54,0	24,0	96,9	196	35,5 ± 0,3	31,8	66,72	83,5 +1,1 -0,5	96,5 +1,1 -0,5	M 14x55	37,69x3,40



# Pressure fittings SFS 45°

Updated at:  
24.05.2022

## Connection

SAE flange 6000 PSI (S series)

## Standard

ISO 6162-2

## Application

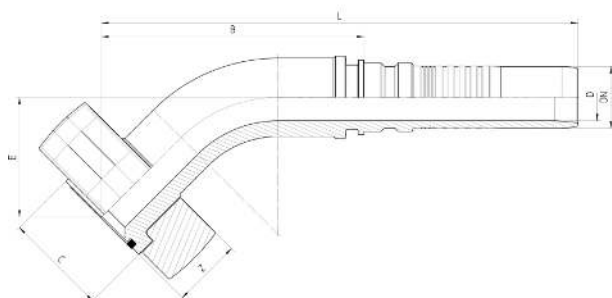
560 bar flexible tubes

## Material

Steel

## Surface protection

Zinc-electroplated



Order no.	DN in mm	Flange in inch	C in mm	min. D in mm	E±3 in mm	B±3 in mm	L±3 in mm	Z in mm	S1 in mm	S2 in mm	T1 in mm	T2 in mm	cheese-head screw 4x DIN EN ISO 4762 12.9	Kantseal ring 90 Shore
8.851-12-	19	3/4	41,3	14,0	37	93	163	28,5 ± 0,2	23,8	50,80	62,0 +0,9 -0,5	73,0 +0,9 -0,5	M10x45	24,99x3,40
8.851-16-	19	1	48,0	14,0	38	93	164	28,5 ± 0,2	27,8	57,22	73,5 +0,9 -0,5	82,5 +0,9 -0,5	M12x50	32,99x3,40
8.851-16-	25	1	48,0	19,0	46	134	222	28,5 ± 0,2	27,8	57,22	73,5 +0,9 -0,5	82,5 +0,9 -0,5	M12x50	32,99x3,40

Order no.	DN in mm	Flange in inch	C in mm	min. D in mm	E±3 in mm	B±3 in mm	L±3 in mm	Z in mm	S1 in mm	S2 in mm	T1 in mm	T2 in mm	cheese-head screw 4x DIN EN ISO 4762 12.9	Kantseal ring 90 Shore
8.851-20-	25	1 1/4	54,0	19,0	51	137	225	35,5 ± 0,3	31,8	66,70	83,5 +1,1 -0,5	96,5 +1,1 -0,5	M14x55	37,69x3,40
8.851-20-	31	1 1/4	54,0	24,0	61	134	243	35,5 ± 0,3	31,8	66,70	83,5 +1,1 -0,5	96,5 +1,1 -0,5	M14x55	37,69x3,40

# Pressure fittings SFS 90°

Updated at:  
24.05.2022

## Connection

SAE flange 6000 PSI (S series)

## Standard

ISO 6162-2

## Application

560 bar flexible tubes

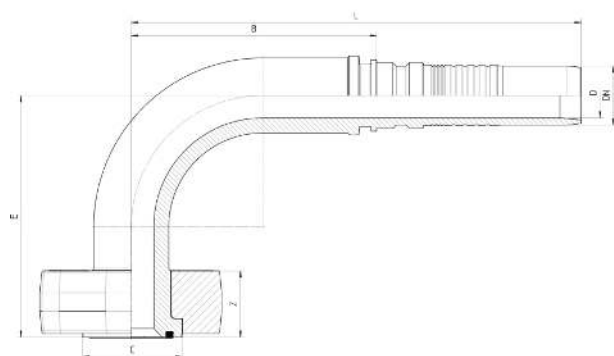
## Material

Steel

## Surface protection

Zinc-electroplated

PRESSURE  
FITTINGS



Order no.	DN in mm	Flange in inch	C in mm	min. D in mm	E±3 in mm	B±3 in mm	L±3 in mm	Z in mm	S1 in mm	S2 in mm	T1 in mm	T2 in mm	cheese-head screw 4x DIN EN ISO 4762 12.9	Kantseal ring 90 Shore
8.871-12-	19	3/4	41,3	14,0	76	77	148	28,5 ± 0,2	23,8	50,8	62,0 +0,9 -0,5	73,0 +0,9 -0,5	M10x45	24,99x3,40
8.871-16-	19	1	48,0	14,0	75	77	148	28,5 ± 0,2	27,8	57,22	73,5 +0,9 -0,5	82,5 +0,9 -0,5	M12x50	23,99x3,40
8.871-16-	25	1	48,0	19,0	93	118	207	28,5 ± 0,2	27,8	57,22	73,5 +0,9 -0,5	82,5 +0,9 -0,5	M12x50	32,99x3,40

Order no.	DN in mm	Flange in inch	C in mm	min. D in mm	E±3 in mm	B±3 in mm	L±3 in mm	Z in mm	S1 in mm	S2 in mm	T1 in mm	T2 in mm	cheese-head screw 4x DIN EN ISO 4762 12.9	Kantseal ring 90 Shore
8.871-20-	25	1 1/4	54,0	19,0	100	115	203	35,5 ± 0,3	31,8	66,7	83,5 +1,1 -0,5	96,5 +1,1 -0,5	M14x55	37,69x3,40
8.871-20-	31	1 1/4	54,0	24,0	129	131	240	35,5 ± 0,3	31,8	66,7	83,5 +1,1 -0,5	96,5 +1,1 -0,5	M14x55	37,69x3,40

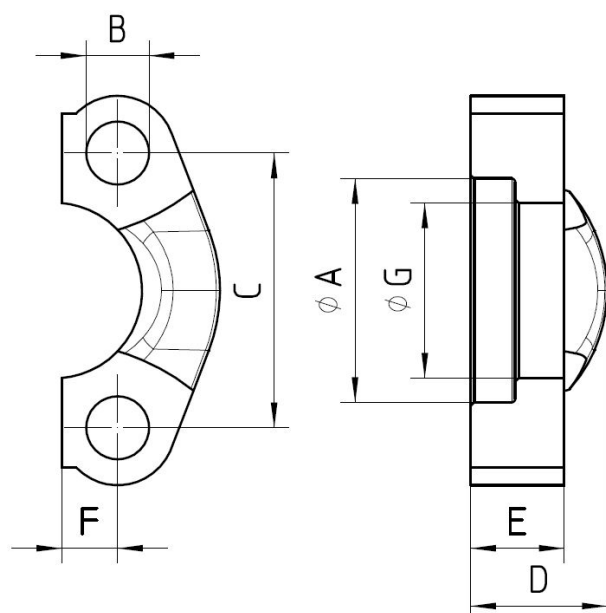
# Pressure fittings

## SAE 3000 PSI flange half

Updated at:  
24.05.2022

**Material**  
Steel

**Surface protection**  
Zinc-electroplated



PRESSURE  
FITTINGS

Order no.	old Order no.	SAE-size in inch	A in mm	G in mm	B in mm	C in mm	D in mm	E in mm	strength class in mm	for bolt
480-001	480-8	1/2	31,0	24,3	8,7	38,1	19	13	8,8	M 8x25
480-003	480-12	3/4	38,9	32,1	11,1	47,6	22	14	10,8	M 10x30
480-006	480-16	1	45,2	38,5	13,1	52,4	24	16	10,8	M 10x30
480-008	480-20	1 1/4	51,6	43,7	15,1	58,7	22	16	12,0	M 10x35
480-010	480-20-I	1 1/4	51,6	43,7	15,1	58,7	22	16	10,5	M 10x35
480-011	480-20-II	1 1/4	51,6	43,7	15,1	58,7	22	16	12,5	M 12x35
480-012	480-24	1 1/2	61,1	50,8	17,9	69,9	25	16	13,5	M 12x35
480-014	480-32	2	72,2	62,7	21,4	77,8	26	16	13,5	M 12x35

Order no.	old Order no.	SAE-size in inch	A in mm	G in mm	B in mm	C in mm	D in mm	E in mm	strength class in mm	for bolt
480-016	480-40	2 1/2	84,9	74,9	25,4	88,9	38	19	13,5	M 12x40
480-019	480-48	3	102,4	90,9	31,0	106,4	41	22	17,0	M 16x45
480-022	480-56	3 1/2	115,1	102,4	34,9	120,6	28	22	17,0	M 16x45
480-024	480-64	4	127,8	115,1	38,9	130,2	35	25	17,0	M 16x50
480-026	480-80	5	153,2	140,5	46,0	152,4	41	28	17,0	M 16x50

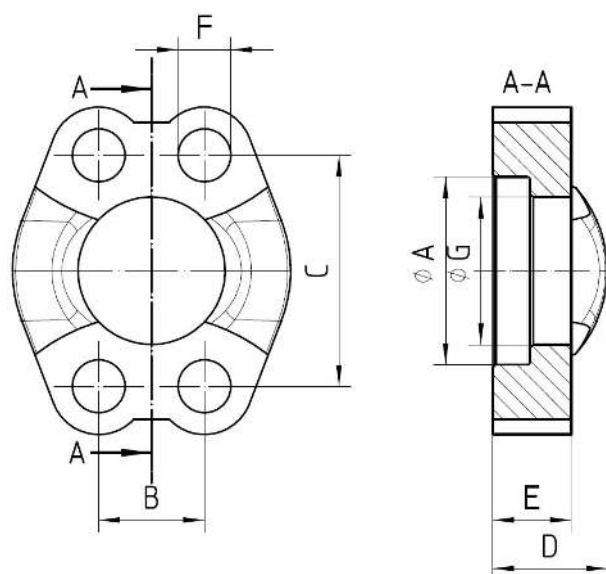
# Pressure fittings

## SAE 3000 PSI solid flange

Updated at:  
24.05.2022

**Material**  
Steel

**Surface protection**  
Zinc-electroplated



Order no.	old Order no.	SAE-size in inch	A in mm	G in mm	B in mm	C in mm	D in mm	E in mm	strength class in mm	for bolt
490-001	490- 8	1/2	31,0	24,3	17,5	38,1	19	13	8,8	M 8x25
490-003	490-12	3/4	38,9	32,1	22,2	47,6	22	14	10,8	M 10x30
490-005	490-16	1	45,2	38,5	26,2	52,4	24	16	10,8	M 10x35
490-007	490-16 S	1	45,2	38,5	26,2	52,4	26	26	10,8	M 10x45
490-008	490-20	1 1/4	51,6	43,7	30,2	58,7	22	16	12,0	M 10x35
490-010	490-20 S	1 1/4	51,6	43,7	30,2	58,7	33	24	13,0	M 12x45
490-011	490-24	1 1/2	61,1	50,8	35,7	69,9	25	16	13,5	M 12x35
490-013	490-24 S	1 1/2	61,1	50,8	35,7	69,9	37	27	13,5	M 12x50
490-014	490-32	2	72,2	62,7	42,9	77,8	26	16	13,5	M 12x35

Order no.	old Order no.	SAE-size in inch	A in mm	G in mm	B in mm	C in mm	D in mm	E in mm	strength class in mm	for bolt
490-017	490-32 S	2	72,2	62,7	42,9	77,8	43	30	13,5	M 12x50
490-018	490-40	2 1/2	84,9	74,9	50,8	88,9	38	19	13,5	M 12x40
490-020	490-48	3	102,4	90,9	61,9	106,4	41	22	16,8	M 16x45
490-023	490-56	3 1/2	115,1	102,4	69,8	120,6	28	22	17,0	M 16x45
490-025	490-64	4	127,8	115,1	77,8	130,2	35	25	17,0	M 16x50
490-027	490-80	5	153,2	140,5	92,1	152,4	41	28	17,0	M 16x50



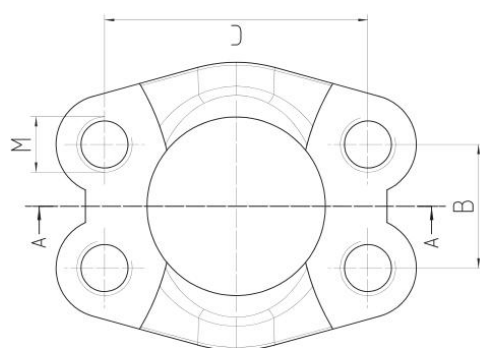
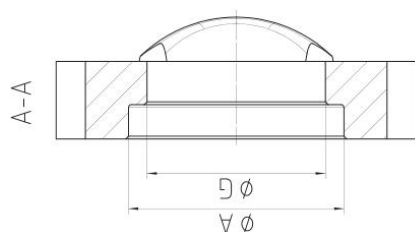
# Pressure fittings SAE 3000 PSI mating solid flange

Updated at:  
24.05.2022

**Material**  
Steel

**Surface protection**  
Zinc-electroplated

PRESSURE  
FITTINGS



Order no.	old Order no.	SAE-size in inch	A in mm	G in mm	B in mm	C in mm	D in mm	E in mm	M in mm
490-029	490G-08	1/2	31,0	24,3	17,5	38,1	19	13	M 8

Order no.	old Order no.	SAE-size in inch	A in mm	G in mm	B in mm	C in mm	D in mm	E in mm	M in mm
490-030	490G-12	3/4	38,9	32,1	22,2	47,6	22	14	M10
490-031	490G-16	1	45,2	38,5	26,2	52,4	24	16	M10
490-032	490G-20	1 1/4	51,6	43,7	30,2	58,7	22	14	M10
490-033	490G-24	1 1/2	61,1	50,8	35,7	69,9	25	16	M12
490-034	490G-32	2	72,2	62,7	42,9	77,8	26	16	M12
490-035	490G-40	2 1/2	84,9	74,9	50,8	88,9	38	19	M12
490-036	490G-48	3	102,4	90,9	61,9	106,4	41	22	M16
490-037	490G-56	3 1/2	115,1	102,4	69,8	120,6	28	22	M16
490-038	490G-64	4	127,8	115,1	77,8	130,2	35	25	M16
490-039	490G-80	5	153,2	140,5	92,1	152,4	41	28	M16

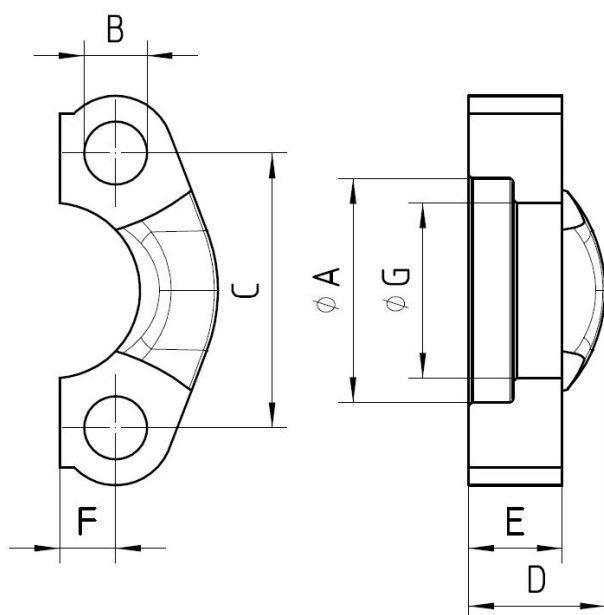
# Pressure fittings

## SAE 6000 PSI flange half

Updated at:  
24.05.2022

**Material**  
Steel

**Surface protection**  
Zinc-electroplated



Order no.	old Order no.	SAE-size in inch	A in mm	G in mm	B in mm	C in mm	D in mm	E in mm	F in mm	for bolt UNC
481-001	481-8	1/2	32,5	24,6	9,2	40,5	22	16	8,8	M 8x30
481-003	481-12	3/4	42,1	32,5	11,9	50,8	28	19	11,0	M 10x35
481-005	481-16	1	48,4	38,9	13,9	57,2	33	24	13,0	M 12x45
481-007	481-16-I	1	48,4	38,9	13,9	57,2	33	24	12,0	(7/16 - 1 3/4)
481-008	481-20	1 1/4	54,8	44,5	15,9	66,7	38	27	15,0	M 14x50
481-010	481-20-I	1 1/4	54,8	44,5	15,9	66,7	38	27	13,5	(1/2 - 1 3/4)
481-011	481-24	1 1/2	64,3	51,6	18,3	79,4	43	30	17,0	M 16x55
481-013	481-32	2	80,2	67,6	22,2	96,8	52	37	21,0	M 20x65

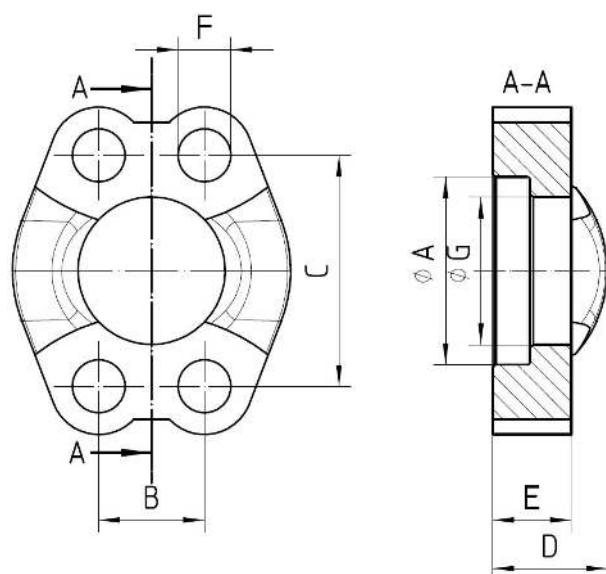
# Pressure fittings

## SAE 6000 PSI solid flange

Updated at:  
24.05.2022

**Material**  
Steel

**Surface protection**  
Zinc-electroplated



Order no.	old Order no.	SAE-size in inch	A in mm	G in mm	B in mm	C in mm	D in mm	E in mm	F in mm	for bolt UNC
491-001	491- 8	1/2	32,5	24,6	18,2	40,5	22	16	8,8	M 8x30
491-004	491-12	3/4	42,1	32,5	23,8	50,8	28	19	11,0	M 10x35
491-006	491-16	1	48,4	38,9	27,8	57,2	33	24	13,0	M 12x45
491-008	491-16-l	1	48,4	38,9	27,8	57,2	33	24	12,0	(7/16 - 1 3/4)
491-009	491-20	1 1/4	54,8	44,5	31,8	66,7	38	27	15,0	M 14x50
491-011	491-24	1 1/2	64,3	51,6	36,5	79,4	43	30	17,0	M 16x55
491-013	491-32	2	80,2	67,6	44,5	96,8	52	37	21,0	M 20x65

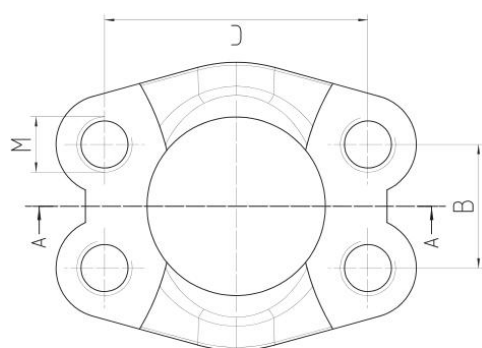
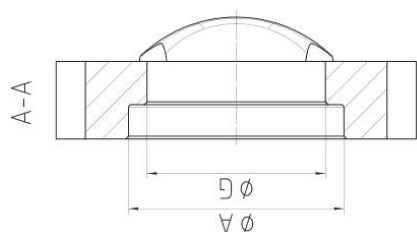
# Pressure fittings SAE 6000 PSI mating solid flange

Updated at:  
24.05.2022

**Material**  
Steel

**Surface protection**  
Zinc-electroplated

PRESSURE  
FITTINGS



Order no.	Old-item	SAE-size in inch	A in mm	G in mm	B in mm	C in mm	D in mm	E in mm	M in mm
491-018	491G-08	1/2	32,5	24,6	18,2	40,5	22	16	M 8

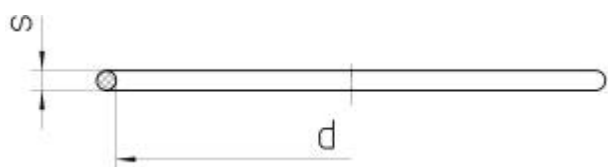
Order no.	Old-item	SAE-size in inch	A in mm	G in mm	B in mm	C in mm	D in mm	E in mm	M in mm
491-019	491G-12	3/4	42,1	32,5	23,8	50,8	28	19	M10
491-020	491G-16	1	48,4	38,9	27,8	57,2	33	24	M12
491-021	491G-20	1 1/4	54,8	44,5	31,8	66,7	38	27	M14
491-022	491G-24	1 1/2	64,3	51,6	36,5	79,4	43	30	M16
491-023	491G-32	2	80,2	67,6	44,5	96,8	52	37	M20
491-024	491G-40	2 1/2	108,9	90,0	58,8	123,8	45	45	M24

## Pressure fittings O-ring DKOL/DKOS

Updated at:  
24.05.2022

**Application**  
for DKOL / DKOS

**Material**  
NBR 70 Shore (Perbunan)



Order no.	RA	d1 x d2 in mm
OR004-006	6L/S	4,5 x 1,5
OR006-006	8L/S	6,5 x 1,5
OR009-001	10L/S	9,0 x 1,5
OR011-001	12L/S	11,0 x 1,5
OR012-001	14S	12,0 x 2,0

Order no.	RA	d1 x d2 in mm
OR012-001	15L	12,0 x 2,0
OR014-001	16S	14,0 x 2,0
OR015-001	18L	15,0 x 2,0
OR016-004	20S	16,3 x 2,4
OR020-001	22L	20,0 x 2,0
OR022-004	25S	22,3 x 2,4
OR025-004	30S	25,3 x 2,4
OR026-001	28L	26,0 x 2,0
OR032-004	35L	32,0 x 2,5
OR033-004	38S	33,3 x 2,4
OR038-001	42L	38,0 x 2,5
OR046-001	50S	46,0 x 3,0



## Pressure fittings O-ring SAE flange

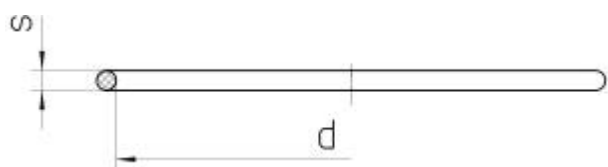
Updated at:  
24.05.2022

### Application

for 3000 and 6000 PSI SAE flange // 9000PSI CAT flanges

### Material

NBR 90 Shore (Perbunan)



Order no.	DN SAE-Flange	d x s in mm
OR018-004	1/2	18,64 x 3,53
OR024-001	3/4	24,99 x 3,53
OR032-006	1	32,92 x 3,53
OR037-001	1 1/4	37,69 x 3,53
OR047-002	1 1/2	47,22 x 3,53

Order no.	DN SAE-Flange	d x s in mm
OR056-004	2	56,74 x 3,53
OR069-003	2 1/2	69,44 x 3,53
OR085-002	3	85,32 x 3,53
OR098-003	3 1/2	98,02 x 3,53
OR110-005	4	110,72 x 3,53
OR136-001	5	136,12 x 3,53

# Pressure fittings

## O-ring DIN flange

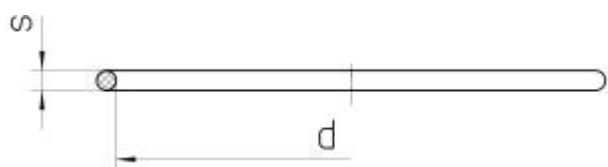
Updated at:  
24.05.2022

### Application

for DIN flange with O-ring

### Material

NBR 70 Shore (Perbunan)



Order no.	DN DIN-Flange in mm	d1 x d2 in mm
OR034-001	20	34,00 x 3,00
OR044-001	25	44,00 x 3,00
OR047-001	32	47,00 x 5,33
OR056-002	40	56,52 x 5,33
OR069-001	50	69,22 x 5,33

Order no.	DN DIN-Flange in mm	d1 x d2 in mm
OR088-003	65	88,27 x 5,33
OR110-002	80	110,49 x 5,33
OR132-001	100	132,72 x 6,99
OR158-001	125	158,12 x 6,99
OR183-001	150	183,52 x 6,99
OR228-001	200	228,00 x 7,00

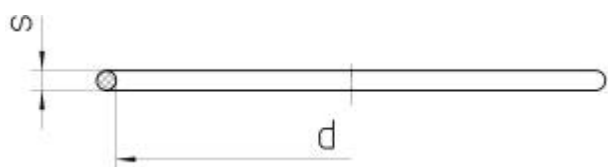
# Pressure fittings

## O-ring ORS

Updated at:  
24.05.2022

**Application**  
for ORS

**Material**  
NBR 90 Shore (Perbunan)



Order no.	DN in mm	for T in UNF/UNS	d1 x d2 in mm
OR007-007	06	9/16-18	O 07,65 x 1,78
OR009-006	10	11/16-16	O 09,25 x 1,78
OR012-004	12	13/16-16	O 12,42 x 1,78
OR015-006	16	1-14	O 15,6 x 1,78
OR018-010	19	1 3/16-12	O 18,77 x 1,78

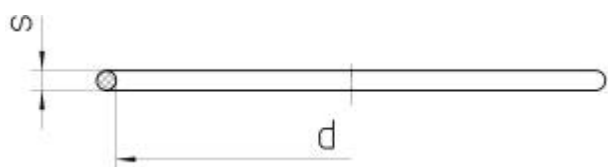
Order no.	DN in mm	for T in UNF/UNS	d1 x d2 in mm
OR023-009	25	1 7/16-12	O 23,52 x 1,78
OR029-007	31	1 11/16-12	O 29,87 x 1,78
OR037-006	38	2-12	O 37,82 x 1,78

# Pressure fittings O-ring DKOR

Updated at:  
24.05.2022

**Application**  
for DKOR

**Material**  
NBR 70 Shore (Perbunan)



Order no.	DN in mm	for T in inch	d1 x ds in mm
OR008-002	10	3/8	8,1 x 1,6-70
OR012-006	12	1/2	12,1 x 1,6 -70
OR013-007	16	5/8	13,1 x 1,6 -70
OR017-004	19	3/4	17,1 x 1,6 -70
OR022-006	25	1	22,1 x 1,6 -70

Order no.	DN in mm	for T in inch	d1 x ds in mm
OR029-004	31	1 1/4	29,1 x 1,6 -70
OR035-002	38	1 1/2	35,1 x 1,6 -70
OR047-004	51	2	47,35 x 1,78 -70
OR057-006	60	2 1/2	56,87 x 1,78 -70
OR069-005	76	3	69,57 x 1,78 -70



## Pressure fittings O-ring DIN2690 flat gasket

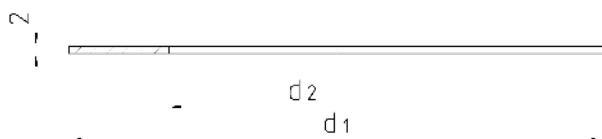
Updated at:  
24.05.2022

### Application

for welding neck flanges as DIN2632 PN10, DIN2434 PN25, DIN2635 PN40

### Material

Hecker Centellen WS 3820



Order no.	DN in mm	nominal pressure PN	d1 in mm	d2 in mm
FD020-001	20	10 / 40	60	28
FD025-001	25	10 / 40	70	35
FD032-001	32	10 / 40	82	43
FD040-001	40	10 / 40	92	49
FD050-002	50	10 / 40	107	61

Order no.	DN in mm	nominal pressure PN	d1 in mm	d2 in mm
FD065-001	65	10 / 40	127	77
FD080-001	80	10 / 40	142	90
FD100-002	100	10 / 16	162	115
FD125-001	125	10 / 16	192	141
FD150-002	150	10 / 16	218	169
FD200-001	200	10 / 16	273	220

**Note**

no-asbestos, water-proof, vapour-proof, oil-proof, and gas-proof ; up to 250 °C DIN-DVGW 90.01e103

# Pressure fittings

## Chesse head screws

Updated at:  
24.05.2022

**Standard**  
DIN EN ISO 4762

**Material**  
Steel

**Surface protection**  
Material grade 8.8: Zinc-electroplated / material grade 10.9 bare, slightly oiled

Order no.	for SAE-Flange 3000 PSI inch	for SAE-Flange 3000 PSI inch	for SAE-Flange 6000 PSI inch	for SAE-Flange cone 3000	for SAE-Flange cone 6000	SAE-weld-on cone flange AKO	SAE-weld-on cone flange AK1	d x l steel grade in mm	s in mm
N08-007	1/2							M 8x25 \n \n 8.8	6
N08-009			1/2					M 8x30 \n \n 8.8	6
N08-016						1/2	1/2	M 8x45 \n \n 10.9	6
N10-009	3/4	1						M 10x30 \n \n 8.8	8
N10-012	1 1/4		3/4					M 10x35 \n \n 8.8	8
N10-018				3/4	3/4			M 10x45 \n \n 10.9	8
N10-019				1		3/4, 1	3/4	M 10x50 \n \n 10.9	8
N10-021				1 1/4		1 1/4		M 10x55 \n \n 10.9	8
N12-005	1 1/2	2						M 12x35 \n \n 8.8	10
N12-012	2 1/2							M 12x40 \n \n 8.8	10
N12-014			1					M 12x45 \n \n 8.8	10
N12-020				1 1/4	1		1	M 12x55 \n \n 10.9	10
N12-024				1 1/2		1 1/2		M 12x65 \n \n 10.9	10
N12-025				2		2		M 12x70 \n \n 10.9	10
N14-004			1 1/4					M 14x50 \n \n 8.8	12
N14-008					1 1/4		1 1/4	M 14x55 \n \n 10.9	12
N16-005	3	3 1/2						M 16x45 \n \n 8.8	14
N16-008	4	5						M 16x50 \n \n 8.8	14
N16-010			1 1/2					M 16x55 \n \n 8.8	14
N16-017					1 1/2			M 16x65 \n \n 10.9	14

Order no.	for SAE-Flange 3000 PSI inch	for SAE-Flange 3000 PSI inch	for SAE-Flange 6000 PSI inch	for SAE-Flange cone 3000	for SAE-Flange cone 6000	SAE-weld-on cone flange AKO	SAE-weld-on cone flange AK1	d x l steel grade in mm	s in mm
N16-022							1 1/2	M 16x70 \n \n 10.9	14
N20-004			2					M 20x65 \n \n 8.8	17
N20-009					2		2	M 20x80 \n \n 10.9	17

**Note**

with hexagon socket as per DIN EN ISO 4762

# Pressure fittings

## Hexagon bolts and nuts

Updated at:  
24.05.2022

**Material**  
Steel

Order no.	DN flange	hexagon bolt fixed flange coupling	Order-No.	hexagon nuts	Order No.	usage of ring washers for
N12-002	20		N-121	M12	N-173	M12
N12-011	20					
N12-018	20	M12x50				
N12-002	25		N-121	M12	N-173	M12
N12-018	25	M12x50				
N16-037	32		N-125	M16	N-177	M16
N16-007	32	M16x50				
N16-037	40		N-125	M16	N-177	M16
N16-007	40	M16x50				
N16-003	50		N-125	M16	N-177	M16
N16-047	50	M16x55				
N16-003	65		N-125	M16	N-177	M16
N16-013	65	M16x60				
N16-003	80		N-125	M16	N-177	M16
N16-013	80	M16x60				
N16-003	100		N-125	M16	N-177	M16
N16-013	100	M16x60				
N16-003	125		N-125	M16	N-177	M16
N16-013	125	M16x60				
N20-030	150		N-127	M20	N-127	M20
N20-031	150	M16x60				
N20-030	200		N-127	M20	N-127	M20
N20-005	200	M20x70				
N24-013	250		N-129	M24	N-129	M24
N24-004	250	M24x80				
N24-014	300		N-129	M24	N-129	M24
N24-005	300	M24x80				
N24-014	350		N-129	M24	N-129	M24
N24-005	350	M24x90				

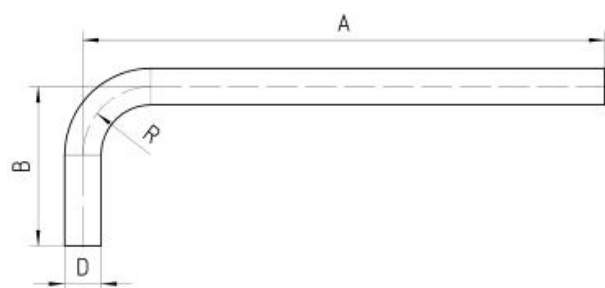
# Pressure fittings

## Seamless 90° pipe bends

Updated at:  
24.05.2022

**Material**  
Steel

**Surface protection**  
phospated



Order no.	D in mm	min. bending radius R	A±3 in mm	B±3 in mm
90 1215 230 70	12 x 1,5	30	230	70
90 1220 230 70	12 x 2,0	30	230	70
90 1420 230 70	14 x 2,0	30	230	70
90 1515 230 70	15 x 1,5	30	230	70
90 1520 230 70	15 x 2,0	30	230	70
90 1615 230 70	16 x 1,5	30	230	70
90 1620 230 70	16 x 2,0	30	230	70
90 1815 236 72	18 x 1,5	36	236	72
90 1820 236 72	18 x 2,0	36	236	72
90 1830 236 72	18 x 3,0	36	236	72
90 2020 236 81	20 x 2,0	36	236	81
90 2025 236 81	20 x 2,5	36	236	81
90 2215 238 78	22 x 1,5	38	238	78
90 2220 238 78	22 x 2,0	38	238	78

Order no.	D in mm	min. bending radiusR	A±3 in mm	B±3 in mm
90 2225 238 78	22 x 2,5	38	238	78
90 2235 238 78	22 x 3,5	38	238	78
90 2520 244 94	25 x 2,0	44	244	94
90 2525 244 94	25 x 2,5	44	244	94
90 2530 244 94	25 x 3,0	44	244	94
90 2540 244 94	25 x 4,0	44	244	94
90 2815 248 98	28 x 1,5	50	248	98
90 2820 248 98	28 x 2,0	50	248	98
90 2830 248 98	28 x 3,0	50	248	98
90 2835 248 98	28 x 3,5	50	248	98
90 3025 250 110	30 x 2,5	50	250	110
90 3030 250 110	30 x 3,0	50	250	110
90 3035 250 110	30 x 3,5	50	250	110
90 3040 250 110	30 x 4,0	50	250	110
90 3520 260 125	35 x 2,0	60	260	125
90 3525 260 125	35 x 2,5	60	260	125
90 3530 260 125	35 x 3,0	60	260	125
90 3540 260 125	35 x 4,0	60	260	125
90 3550 260 125	35 x 5,0	60	260	125
90 3825 265 140	38 x 2,5	65	265	140
90 3830 265 140	38 x 3,0	65	265	140
90 3840 265 140	38 x 4,0	65	265	140
90 3850 265 140	38 x 5,0	65	265	140
90 4220 280 165	42 x 2,0	80	280	165
90 4230 280 165	42 x 3,0	80	280	165
90 4250 280 165	42 x 5,0	80	280	165
90 5050 310 310	50 x 5,0	210	310	310
90 5060 310 310	50 x 6,0	210	310	310
90 6580 320 320	65 x 8,0	180	320	320

PRESSURE  
FITTINGS

**Dipl. Ing. K. Dietzel GmbH**

D 04626 **Beerwalde**  
Leedenstraße 10

Phone: +49 (36602) 140-0  
Fax: +49 (36602) 140-809

Email: [info@dietzel-hydraulik.de](mailto:info@dietzel-hydraulik.de)

**Sales**

Phone: +49 (36602) 140-140  
Fax: +49 (36602) 3 47 27

Email: [vertrieb@dietzel-hydraulik.de](mailto:vertrieb@dietzel-hydraulik.de)

For more information scan here:



[www.dietzel-hydraulik.de](http://www.dietzel-hydraulik.de)